



TBR72-RISZ1-L-S-GGG



TBR32-RISZ1-L-B-S-1



TBR72-RISZ1-L-B-111-1

TDR48-RISZ1-L-B-SG



⚠ WARNING!



Be sure to read and fully understand this document before installing, operating, maintaining or servicing this appliance. Failure to do so can result in appliance failure, property damage, serious injury or death. Appliance failure, injury or property damage due to improper installation is not covered by warranty.

📄 USER ACTION!

TRUE tracks the history of your appliance by its serial number. For easy reference, record your appliances full model name and serial number below. This information is on your serial label. Serial label location varies by appliance.

Model Name:

Serial Number:

True Manufacturing Co., Inc.

2001 East Terra Lane • O'Fallon, Missouri 63366-4434
(636) 240-2400 • FAX: (636)-272-2408

International FAX: (636)-272-7546 • (800)-325-6152

Parts Department: (800)-424-TRUE (424-8783)
Parts Department FAX: (636)-272-9471



INSTALLATION MANUAL
EBR | EDR | TBR | TDR | SERIES
Original Instructions

North America – Canada and Caribbean

Warranty Phone +1 855-878-9277
Warranty Fax +1 636-980-8510
Warranty Email warrantyinquiries@truemfg.com
Technical Phone +1 855-372-1368
Technical Email service@truemfg.com
7:00 am–6:00 pm CST Monday–Friday,
8:00 am–12:00 pm Saturday

Mexico

Phone +52 555-804-6343/44
service-mexicocity@truemfg.com
9:00 am–5:30 pm M–F

Latin America

Phone: +52 555-804-6343/44
servicelatam@truemfg.com
9:00 am–5:30 pm M–F

UK, Ireland, Middle East, Africa & India

Phone: +44 (0) 800-783-2049
Service-emea@truemfg.com
8:30 am–5:00 pm M–F

Australia

Phone: +61 2-9618-9999
service-aus@truemfg.com
8:30 am–5:00 pm M–F

European Union & Commonwealth of Independent States

Phone: +41 61-563-0705
service-emea@truemfg.com
8:00 am–5:00 pm M–F



803294-H

THANK YOU

FOR YOUR PURCHASE

Congratulations!

The primary purpose of this document is to assist the installation, maintenance, and servicing of your TRUE appliance. This document contains information important to safety, operation, maintenance, and servicing. **DO NOT** discard this document. TRUE is solely the appliance manufacturer. For assistance finding a qualified technician, please visit our Service Company Locator at truemfg.com/support/service-locator.

NOTICE!



Your appliance may not exactly match the figures shown in this manual.

Contents

Preface

Signal & Symbol Definitions 3

Important Safety Information

Basic Safety & Operation Warnings 4

Personal Injury Warnings 5

Hydrocarbon Refrigerant Warnings 6

Appliance Disposal Warnings 6

Electrical Safety Warnings 7

About Your Appliance & Installation Requirements

Appliance Specifications 8

Clearances 9

Electrical Requirements 10

Electrical Installation & Safety 10

Installation & Setup

Uncrating 12

Appliance Location 14

Leveling Screw, Leg or Castor Installation 14

Level the Appliance 16

Seal the Appliance to the Floor 16

Shelf Installation 19

Draft Tower Installation 18

Draft Spill Tray 19

Air Distributor Manifold & Distributor Cover 20

CO₂ & Keg Connections 20

Beer Drain Bottle & Hanger Access Ports 21

Overlay Panel Specifications 23

Overlay Panel Installation 27

Appliance Operation

Startup 30

Temperature Control & Light Switch Location 31

General Sequence of Operation 32

Draft Beer Storage, Handling & Operation 33

Changing CO₂ Gas Cylinder 34

Pressure Adjustment on CO₂ Regulator 34

Maintenance & Servicing

Component Replacement 37

Recommended Maintenance 38

Draft Tower Cleaning 40

Condenser Coil Cleaning 41

General Surface Care & Cleaning 43

Stainless Steel Care & Cleaning 44

8 Tips to Help Prevent Rust on Stainless Steel 45

Reverse Door Swing Style #1 46

Reverse Door Swing Style #2 48

Slide Door Removal 49

Slide Door Adjustment 51

Slide Door Hold-Open Feature 51

Gasket Replacement 52

Swing Door Lock & Cam Replacement 53

Warranty






Warranty Information 54










Preface










The warning, guidelines, and recommendations within this document are meant to prevent appliance damage, injury, or death. Please carefully read all warnings, guidelines, and recommendations before proceeding to ensure the continued safe use and maintenance of your TRUE appliance.

Signal & Symbol Definitions

Below are symbols you may see in this document. Some symbols may not appear.

Signal Word Definitions	
 DANGER!	An imminently hazardous situation which, if not avoided, will result in serious injury or death.
 WARNING!	A potentially hazardous situation which, if not avoided, can result in serious injury or death.
 CAUTION!	A potentially hazardous situation which, if not avoided, may result in minor or moderate injury; an unsafe practice.
 USER ACTION!	User action alert, follow all recommendations to avoid appliance or product damage.
 NOTICE!	Important information not related to hazards or risk of personal injury.

Safety Symbols	
	Safety alert; alerts reader to potential physical injury hazards. Obey all safety messages following this symbol to avoid possible injury or death.
	Flammable material; fire hazard.
	Electrical shock hazard.
	Tipping hazard; tip-over hazard.
	Sharp element; cut or sever hazard.
	Eye hazard; risk of eye injury.
	Exploding pressurized cylinder hazard.
	Slippery surface hazard.
	Crush or cut hazard.

Additional Symbols	
	Mandatory action alert symbol; alerts reader to required or recommended actions. Obey all messages and recommendations following this symbol to avoid appliance or product damage.
	Important information not related to hazards or risk of personal injury.
	Review and understand the installation manual before installing, operating, or servicing.
	Wear eye protection.
	Wear protective gloves.
	Secure gas cylinders to prevent falling cylinders.
	DO NOT use extension cord.
	DO NOT use adaptor plugs.
	DO NOT dispose of with other household waste.

Important Safety Information

Important Safety Information

Basic Safety & Operation Warnings

Follow basic safety precautions, including the following, to reduce risk of personal injury, electric shock, fire, or death.

⚠ WARNING!



Be sure to read and fully understand this document before installing, operating, maintaining, or servicing this appliance. Failure to do so can result in appliance failure, property damage, serious injury, or death. Appliance failure, personal injury, or property damage due to improper installation is not covered by warranty.

- Failure to install, operate, and maintain the appliance as detailed in this document will negatively affect safety, appliance performance, component life, and warranty coverage.
- The appliance must be installed in accordance with all applicable laws, codes, and regulations.
- The manufacturer cannot be held responsible for injury or damage resulting from improper, incorrect, and unreasonable use.
- This appliance is not to be used, cleaned, or maintained by persons (including children) with reduced physical, sensory, or mental capabilities or lack of experience and knowledge, without proper supervision or instruction.
- **DO NOT** install or operate equipment that has been misused, abused, neglected, damaged, or altered/modified from original manufactured specifications.
- **DO NOT** modify or alter the appliance. Improper alterations can result in electric shock, personal injury, fire, or death.
- **DO NOT** use electrical appliances inside the food storage compartments of the appliance unless the appliances are approved by the manufacturer.
- The appliance owner is responsible for performing a Personal Protective Equipment (PPE) Hazard Assessment and to ensure adequate protection during maintenance and cleaning procedures.
- Use appropriate tools, safety equipment, and PPE during installation and servicing.
- Only use the appliance for its intended purpose as described in this document. Failure to do so may result in equipment damage, personal injury, or death.
- Overloading, incorrectly installing, or improperly loading shelves can cause shelf failure (as well as negatively affect the appliance's operation), resulting in appliance damage, product damage, or personal injury.
- Keep the area surrounding the appliance clean to avoid appliance damage from debris or pests.

Important Safety Information (cont.)

Personal Injury Warnings

Only qualified technicians should install and service the appliance. For assistance finding a qualified technician, please visit our Service Company Locator at truemfg.com/support/service-locator. TRUE is solely the appliance manufacturer and is not responsible for installation.

⚠ DANGER!	
	<p>DO NOT allow children to play with or in the appliance. Child entrapment or personal injury can occur.</p>
	<p>DO NOT store or use the following in the vicinity of this or any other appliance:</p> <ul style="list-style-type: none"> Gasoline or other flammable vapors and liquids Combustible or explosive substances, such as aerosol cans with a flammable propellant Other volatile or flammable substances
 	<p>Contact TRUE Manufacturing to locate refrigerant lines and electrical wiring before drilling, cutting or puncturing interior or exterior walls. Failure to do so could result in damage, personal injury, or death.</p>

⚠ WARNING!	
	<p>Only qualified technicians should install and service the appliance.</p> <ul style="list-style-type: none"> Use appropriate tools, safety equipment, and personal protective equipment (PPE) during installation and servicing. DO NOT touch the cold surfaces in the freezer compartment when hands are damp or wet. Skin may stick to extremely cold surfaces.
	<p>This product can expose you to chemicals including Di-(2-Ethyl hexyl) Phthalate (DEHP), which is known to the State of California to cause cancer and birth defects or other reproductive harm. For more information go to P65warnings.ca.gov.</p>
	<p>Slippery Surfaces! Moisture from improper drainage can create slippery surfaces near the appliance. It is your duty to immediately warn your customers of, and dry, the slippery surface. All wet floor areas must be marked with a wet floor sign.</p>
	<p>Sharp edges! Take care when moving, installing, cleaning, servicing, and maintaining the appliance to avoid cuts. Be sure to take care when reaching under the appliance or handling metal components.</p> <ul style="list-style-type: none"> Keep fingers out of pinch point areas, such as the space between appliance doors and surrounding cabinetry. Take care closing doors with children nearby.
	<p>Tip over hazard! Appliance may pose a tipping hazard when uncrating, installing, or moving the appliance. Take appropriate safety precautions. Use of tip over restraints may only reduce (not eliminate) the tipping hazard. Never allow children to climb or hang on drawers, doors, or shelves.</p>
	<p>Crush or cut hazard! Keep clear when uncrating, installing, moving, or servicing the appliance.</p>
	<p>Risk of electric shock or burn! See "Electrical Safety Warnings" for more information.</p>

Important Safety Information (cont.)

Hydrocarbon Refrigerant Warnings

TRUE appliances use hydrocarbon refrigerant (R-290/513A/600a). Check the serial label to identify the appliance's refrigerant. Serial label location varies by model.

⚠ DANGER!



Risk of fire or explosion! Flammable refrigerant used.

- All servicing and maintenance must be performed by qualified technicians. This is to minimize the risk of fire or personal injury due to incorrect parts or improper service.
- Check the serial label to identify the appliance's refrigerant. Serial label location varies by model.
- **DO NOT** damage the refrigeration system during transportation and installation.
- If the appliance is damaged, verify the refrigeration system's integrity is not compromised before proceeding.
- Never use sharp objects or tools to remove ice or frost. **DO NOT** use mechanical devices to accelerate defrost.
- Dispose of in accordance with all applicable laws, codes, and regulations. Follow all safety precautions associated with handling flammable refrigerant.
- **DO NOT** use electrical appliances inside the food storage compartments of the appliances unless the appliances are of the type recommended by the manufacturer.

Appliance Disposal Warnings

⚠ DANGER!



Risk of child entrapment!

Children can get trapped inside discarded appliances and suffocate. Never dispose of your appliance without taking precautions to prevent child entrapment, even if the appliance only sits unattended for a short period of time.

Child entrapment precautions include the following:

- Remove all doors (or drawers for drawer appliances).
- Leave all interior drawers and shelving in place to make climbing (and fitting) inside the appliance more difficult.



Risk of fire or explosion! Flammable refrigerant and insulation used. Dispose of in accordance with all applicable laws, codes, and regulations. Follow all safety precautions associated with handling flammable refrigerant and insulation.









DO NOT dispose of your appliance with household waste.


Important Safety Information (cont.)

Electrical Safety Warnings

⚠ WARNING!

     	<p>Risk of electric shock, burn, or fire!</p> <ul style="list-style-type: none"> It is the appliance owner's responsibility to ensure the electrical connection meets all applicable building codes. Failure to meet these code requirements can result in appliance damage, fire, electric shock or burns, serious personal injury, or death. Before connecting your appliance to the power supply, verify the supply voltage and circuit rating match the appliance. Correct improper supply voltage or circuit size immediately. Before connecting your appliance to the power supply, verify the power supply is correctly grounded. If the power supply is not grounded, correct immediately. TRUE recommends hiring a qualified electrician to inspect your wall outlet and circuit to ensure they are properly grounded. DO NOT clean appliance with a pressure washer or hose. DO NOT immerse power cord in water. Powering off an electronic control or setting temperature controls to 0 (off position) does not remove power from all components. Unplug the appliance or turn off the power supply before installation or servicing. The appliance should receive power from its own individual dedicated electrical circuit. This provides the best performance and prevents overloading the power supply. The original equipment manufacturer (OEM) power cord has a grounding plug to minimize the possibility of electrical shock. <ul style="list-style-type: none"> Never remove the ground prong from the power cord! For personal safety, this appliance must be properly grounded. Never use an extension cord! An extension cord is any component that adds length to the OEM power cord when connecting the cord to a power source. Never use an adapter plug! An adapter plug alters the OEM plug configuration when connecting the plug to a power source. Never use a power cord that shows cracks or abrasion damage along its length or at either end. <ul style="list-style-type: none"> Immediately have a qualified technician replace damaged OEM power cords with OEM components. Never unplug your appliance by pulling on the power cord. Always grip the plug and pull the plug straight out of the outlet. Take care to prevent rolling over or damaging the power cord when moving the appliance. Never use the power cord to prevent appliance movement. Always use adequate means to keep the appliance in place without transmitting stress to the power cord. Keep power cord away from heated surfaces. DO NOT let power cord hang over edge of table or counter. DO NOT excessively bend or place heavy articles on the power cord.
---	--

ⓘ NOTICE!

	<p>TRUE will not warranty the following:</p> <ul style="list-style-type: none"> Compressor failures due to improper incoming voltage. Appliance with tampered OEM power cords. Appliance connected to adapters or extension cords. <p>For more details, see TRUE's full warranty statement.</p>
---	---

About Your Appliance & Installation Requirements

About Your Appliance & Installation Requirements

! USER ACTION!



TRUE is not responsible for damage incurred during shipment. Always carefully inspect for freight damage before receiving and installing your appliance. If there is damage, note all damage on the delivery receipt, immediately file a claim with the delivery freight carrier, and contact TRUE. **Do not install the appliance or put it in service.**

Thank you for choosing TRUE Manufacturing to meet your refrigeration needs. TRUE highly recommends a qualified technician and electrician install your appliance to ensure correct installation. The cost of professional installation is money well spent. Only qualified technicians should install and service the appliance.

For assistance finding a qualified technician, please visit our Service Company Locator at truemfg.com/support/service-locator. TRUE is solely the appliance manufacturer and is not responsible for installation.

The appliance owner is responsible for proper installation and maintaining the appliance as described in this document. Routine care and maintenance procedures are not covered by TRUE's warranty.

Appliance Specifications

Some things to know about your appliance are as follows:

- Appliance tested for IEC to ISO Climate Class 5 [104°F (40°C) temperature, 40% relative humidity].
- For proper operation, ambient temperatures shall not be less than 60°F (15.5°C) and no greater than 104°F (40°C).
- Appliance is not for the storage and/or display of potentially hazardous foods when the temperature control is set above 41°F (5°C).
- Appliance is not suitable for outdoor use, unless otherwise stated on the serial label.
- Appliance is not suitable for an area where a pressure washer or hose may be used.
- Always plug the appliance into its own individual dedicated electrical circuit!
- **DO NOT** use extension cords or adapter plugs.
- Before connecting your appliance to the power supply, verify the incoming voltage ($\pm 5\%$) and the amps match the operation ratings on the appliance's serial label. Correct improper incoming voltage or amps immediately. Serial label location varies by model.
- Before connecting your appliance to the power supply, verify the power supply is correctly grounded. If the power supply is not grounded, correct immediately.
- Ensure the installation location will provide adequate clearances and sufficient airflow for the appliance. See "Clearances" (pg. 9).
- Read and follow all warnings and maintenance instructions. Failure to do so may result in damage and void the warranty on your appliance.

About Your Appliance & Installation Requirements (cont.)

Clearances

! NOTICE!	
!	<p>Warranty is void if ventilation is insufficient.</p> <p>Be sure your appliance has the required surrounding clearances for ventilation purposes. Keep all ventilation openings in the appliance enclosure or structure housing the appliance clear of obstruction.</p>

MODEL	TOP	SIDES	BACK
EBR/EDR	0" (0 mm)	0" (0 mm)	0" (0 mm)
TBR/TDR	0" (0 mm)	0" (0 mm)	0" (0 mm)

About Your Appliance & Installation Requirements (cont.)

Electrical Requirements

ⓘ USER ACTION!



Find a copy of the wiring diagram with our serial number lookup at truemfg.com/support/serial-number-lookup.

Wire gauge chart (115V)

115 Volts	Distance in Feet to Center of Load											
AMPS	20	30	40	50	60	70	80	90	100	120	140	160
2	14	14	14	14	14	14	14	14	14	14	14	14
3	14	14	14	14	14	14	14	14	14	14	14	12
4	14	14	14	14	14	14	14	14	14	12	12	12
5	14	14	14	14	14	14	14	12	12	12	10	10
6	14	14	14	14	14	14	12	12	12	10	10	10
7	14	14	14	14	14	12	12	12	10	10	10	8
8	14	14	14	14	12	12	12	10	10	10	8	8
9	14	14	14	12	12	12	10	10	10	8	8	8
10	14	14	14	12	12	10	10	10	10	8	8	8
12	14	14	12	12	10	10	10	8	8	8	8	6
14	12	12	12	10	10	10	8	8	8	6	6	6
16	12	12	12	10	10	8	8	8	8	6	6	6
18	12	12	10	10	8	8	8	8	8	8	8	5
20	12	12	10	10	8	8	8	6	6	6	5	5
25	10	10	10	8	8	6	6	6	6	5	4	4
30	10	10	8	8	6	6	6	6	5	4	4	3

Wire gauge chart (230V)

230 Volts	Distance in Feet to Center of Load											
AMPS	20	30	40	50	60	70	80	90	100	120	140	160
5	14	14	14	14	14	14	14	14	14	14	14	14
6	14	14	14	14	14	14	14	14	14	14	14	12
7	14	14	14	14	14	14	14	14	14	14	12	12
8	14	14	14	14	14	14	14	14	14	12	12	12
9	14	14	14	14	14	14	14	14	12	12	12	10
10	14	14	14	14	14	14	14	12	12	12	10	10
12	14	14	14	14	14	14	12	12	12	10	10	10
14	12	12	12	12	12	12	12	12	10	10	10	8
16	12	12	12	12	12	12	12	10	10	10	8	8
18	12	12	12	12	12	10	10	10	8	8	8	8
20	12	12	12	12	10	10	10	10	8	8	8	8
25	10	10	10	10	10	10	10	8	8	6	6	6
30	10	10	10	10	10	8	8	8	6	6	6	6

Electrical Installation & Safety

NEMA Plug Configurations

60 HZ USE ONLY!

TRUE uses these types of NEMA plugs shown. If you **DO NOT** have the proper outlet, have a licensed electrician verify and install the correct power source.



115/60/1
NEMA-5-15R



115/208-230/1
NEMA-14-20R



115/60/1
NEMA-5-20R



208-230/60/1
NEMA-6-15R

International (IEC) Plugs Only

International appliances may be supplied with a power cord that will require installation. Install this cord before connecting the appliance to a power source.

NOTICE International plug configurations will vary by country and voltage.

Installation

Fully seat the power cord into the appliance receptacle until it locks in position. See fig. 1.

Removal

Depress the red button. See fig. 2.

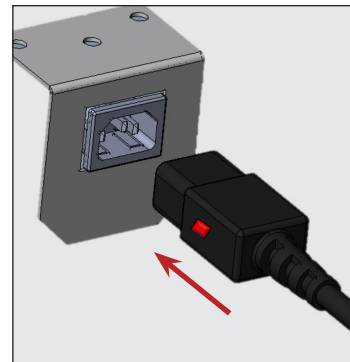


Fig. 1. Fully insert the power cord into the receptacle.

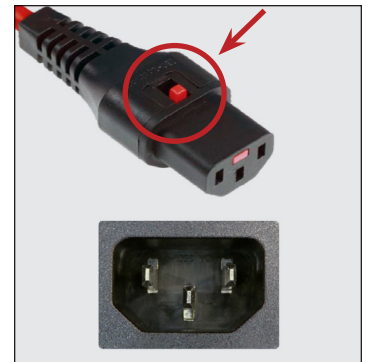


Fig. 2. Push the red button to remove the plug.

Installation & Setup

Installation & Setup

⚠ WARNING!

	<p>Only qualified technicians should install and service the appliance. For assistance finding a qualified technician, please visit our Service Company Locator at truemfg.com/support/service-locator/</p>
 	<p>The appliance owner is responsible for performing a Personal Protective Equipment (PPE) hazard Assessment and to ensure adequate protection during maintenance and cleaning procedures.</p> <p>Use appropriate tools, safety equipment, and PPE during installation and servicing.</p>
	<p>Sharp edges! Take care when moving, installing, cleaning, servicing and maintaining the appliance to avoid cuts. Be sure to take care when reaching under the appliance or handling metal components. Keep fingers out of pinch point areas, such as the space between appliance doors and surrounding appliances. Take care closing doors with children nearby.</p>
	<p>Risk of electrical shock or burn! Powering off an electronic control or setting temperature controls to the 0 (off) position does not remove power from all components. Unplug the appliance or turn off the power supply before installation or servicing.</p>

Uncrating

ⓘ USER ACTION!

	<ul style="list-style-type: none"> • If the appliance is damaged, note all damage on the delivery receipt, immediately file a claim with the delivery freight carrier, and contact TRUE. DO NOT install the appliance or put it in service. • If the appliance is laid on its back or side, be sure to leave the appliance upright twice the time it has been laying down (up to four (4) hours) before plugging the appliance into a power source. If this time exceeds four (4) hours, let the appliance sit upright for 24 hours before powering the appliance.
--	---

ⓘ NOTICE!

	<p>Keys for appliances with door locks are located in the warranty packet.</p>
--	--

Required Tools

Required tools include (but may not be limited to) the following:

- Adjustable wrench
- Phillips screwdriver

Installation & Setup (cont.)

Procedure

1. Remove the outer packaging (cardboard and bubbles or styrofoam corners and clear plastic). See fig. 1. Inspect for concealed damage. Again, immediately file a claim with the freight carrier if there is damage.

NOTICE > Move the unit as close as possible to the final location before removing the wooden skid.

2. With an adjustable wrench, remove all shipping bolts securing the wood skid to the bottom of the cabinet. See fig. 2.

NOTICE > Some models may require removing the front and/or rear grill to access the shipping bolts.

3. If leveling legs or castors **will not be used**, remove the cabinet from the wood skid and set the skid aside.

NOTICE > **DO NOT** lift the cabinet by the countertops, doors, drawers, or grills.

If leveling legs or castors **will be used**, rotate the cabinet on the skid (see fig. 3) and see the installation instructions on the next page.

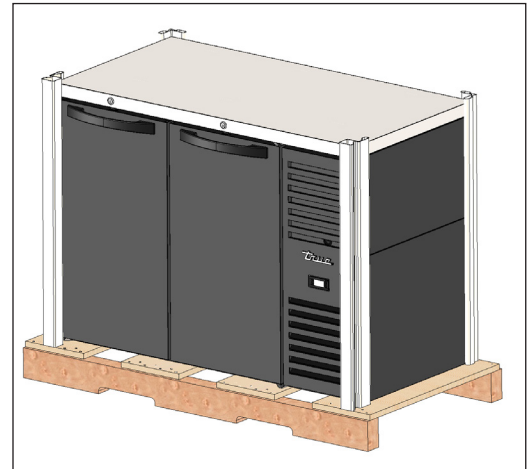


Fig. 1. Remove the exterior packaging.

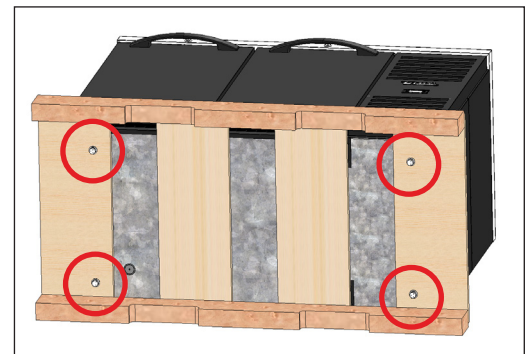


Fig. 2. Shipping bolt locations.

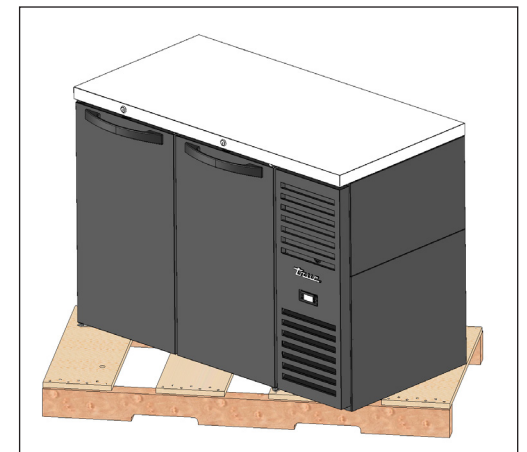


Fig. 3. When lifting unit, do not use countertops, doors/drawers, or grills as a lifting point.

Installation & Setup (cont.)

Appliance Location

- Ensure that the drain hose or hoses are positioned in the pan.
- Free the plug and cord from inside the lower rear of the appliance (**DO NOT** plug in).
- Place the appliance close enough to the electrical supply so that extension cords are never used.

Leveling Screw, Leg, or Castor Installation

⚠ WARNING!



Tipping hazard! ALWAYS verify center leveling screws fully contact the floor after leveling the appliance.

Leveling screws are provided to assist with leveling the appliance. Adjustable legs provide 6" (152 mm) of clearance under the appliance. Castors provide appliance mobility.

Required Tools

Required tools include (but may not be limited to) the following:

- Adjustable Wrench

Procedure – Leveling Screws

If leveling screws are not factory installed, then, with access to the appliance bottom, install the leveling screws into the threaded holes in the frame rail or appliance bottom. See figs. 1–3.

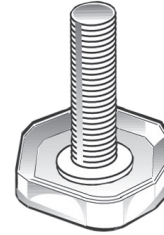


Fig. 1. Leveling screw.

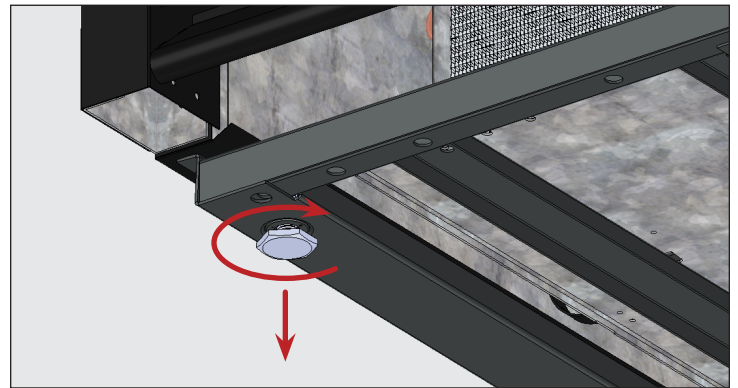


Fig. 2. Turn the leveling screws clockwise to lower the appliance.

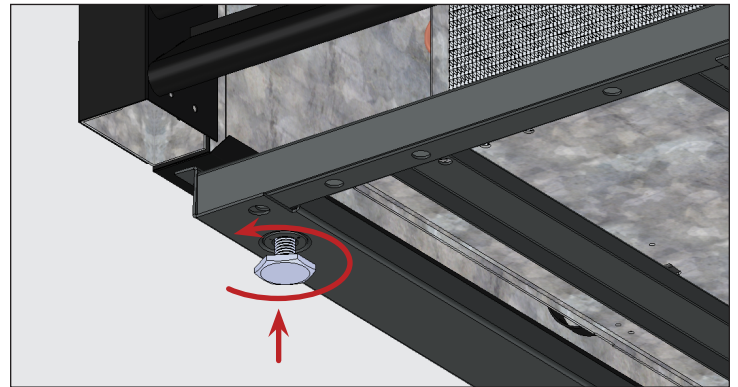


Fig. 3. Turn the leveling screws counterclockwise to raise the appliance.

Installation & Setup (cont.)

Procedure – 6" (152 mm) Leveling Legs

1. Access the appliance bottom.
2. If present, remove the leveling screws.
3. Thread the leveling legs into the frame rail or appliance bottom. See figs. 4 and 5.
4. Verify that the appliance is level. See "Level the Appliance" (pg. 16).
5. If the appliance is not level, gently lift and support the low end of the appliance. Then, with an adjustable wrench, screw the leveling leg bottom stems in or out to level and support the appliance. See fig. 4 and 6.

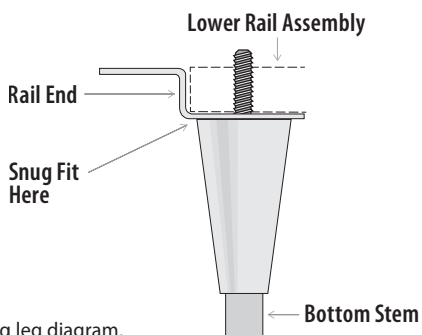


Fig. 4. Leveling leg diagram.

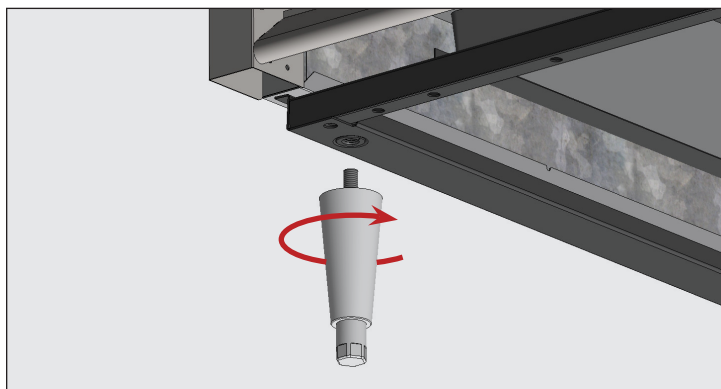


Fig. 5. Screw the leveling legs into the threaded holes.

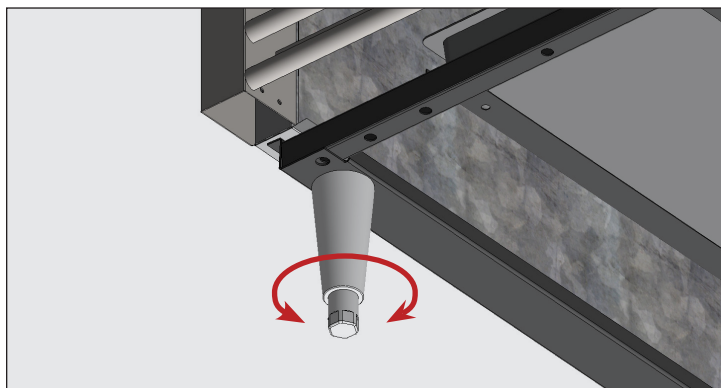


Fig. 6. Turn the bottom stem to level the appliance.

Procedure – Castors

1. Locate the castor anchor points on the underside of the appliance.
2. With an adjustable wrench and the provided hardware, install the plate castors.

NOTICE > DO NOT overtighten the bolts. Verify the level of the appliance. If the appliance is not level, gently lift and support the low end of the appliance and add castor shims.

- a. Loosen the castor bolts to create space between the mounting plate and the bottom of the appliance. See fig. 7a.
- b. Position the castor shims and tighten the castor bolts. See figs. 7b and 6c.
- c. Lower the appliance and verify it is level. Repeat the process until the appliance is level.

NOTICE > Install shims in pairs and ensure the shims contact the castor mounting bolts.

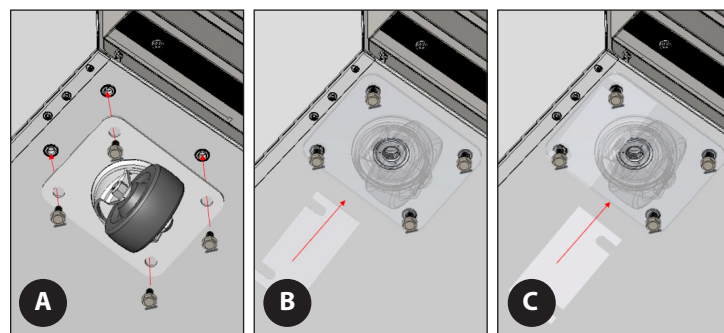
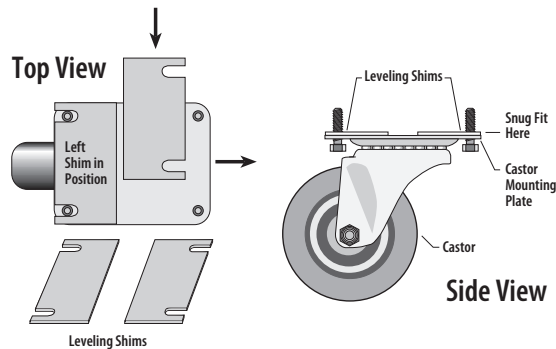


Fig. 7. Install castor shims in pairs.

Installation & Setup (cont.)

Level the Appliance

⚠ WARNING!



Tipping hazard! ALWAYS verify center leveling screws fully contact the floor after leveling the appliance.

Proper leveling of your TRUE appliance is critical to operating success (for non-mobile appliances). Leveling impacts effective condensate removal and door operation.

See "Leveling Screw, Leg or Castor Installation" (pg. 14) for level adjustment and shimming information.

Procedure

Position the appliance in its final installation location. Then, level the appliance front-to-back and side-to-side. See fig. 1.

1. Position the level on the inside floor of the appliance near the doors (level parallel to appliance front). Level the appliance.
2. Position the level at the inside rear of the appliance (level parallel to appliance back). Level the appliance.
3. Position the level on the left and right inside floor (level parallel to appliance sides). Level the appliance.

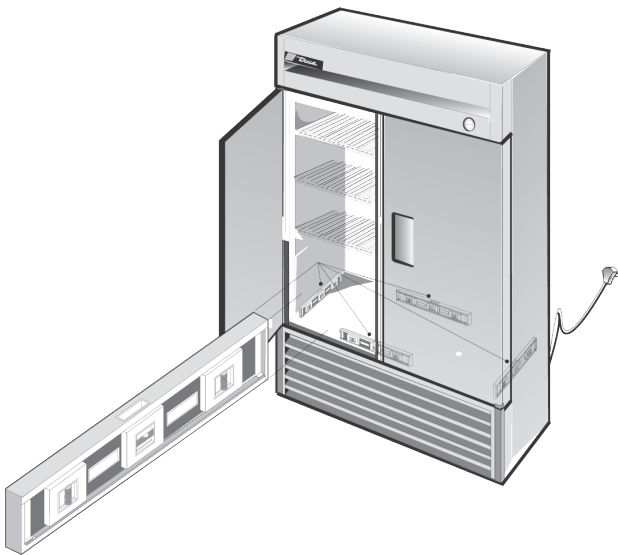


Fig. 1. Measure the level along the perimeter of the interior floor.

Seal the Appliance to the Floor

ⓘ USER ACTION!



Asphalt floors are susceptible to chemicals. TRUE recommends installing a layer of tape between the asphalt and the sealant to protect the floor.

The following procedure describes sealing a non-mobile appliance to the floor for NSF standards. This may not be required for your application.

Procedure

1. Position the appliance in its final installation location. Be sure to leave adequate clearance between the back and sides per "Clearances" (pg. 9) to ensure proper ventilation.
2. Level the appliance front-to-back and side-to-side. See "Level the Appliance" (pg. 16).
3. Draw an outline of the appliance base on the floor.
4. Raise and block the front side of the appliance.
5. Apply a bead of NSF-approved sealant (see list below) to the floor, 1/2" (13 mm) inside the front part of the outline drawn in step 3. The bead of sealant must be heavy enough to seal the entire appliance surface when the appliance is lowered on top of the sealant.
6. Raise and block the rear of the appliance.
7. Apply sealant to the floor on the other three sides, as outlined in step 5.
8. Examine the appliance to ensure that it is sealed to the floor around the entire perimeter.

NSF-Approved Sealants

- 3M #ECU800 Caulk
- 3M #ECU2185 Caulk
- 3M #ECU1055 Bead
- 3M #ECU1202 Bead
- Armstrong Cork – Rubber Caulk
- Products Research Co. #5000 Rubber Caulk
- G.E. Silicone Sealer
- Dow Corning Silicone Sealer

Installation & Setup (cont.)

Shelf Installation

⚠ **WARNING!**



Overloading, incorrectly installing, or improperly loading shelves can cause shelf failure and negatively affect appliance operation, resulting in appliance damage, product damage, or personal injury.

DO NOT use pliers or any crimping tools when installing shelf clips. Altering shelf clips in any way can lead to shelving instability.



Installation Tips

- Install **all** the shelf clips before installing any shelves.
- Start at the bottom shelf and work your way up.
- Always lay the back of each shelf down on the rear clips before the front.

Procedure

1. Hook the shelf clips into the shelf standards. See fig. 1.
2. Push up on the bottom of the clip. See fig. 2.

NOTICE >

 You may need to squeeze or twist the bottom of the shelf clip for proper installation. Position all four shelf clips equal in distance from the floor for flat shelves.
3. Ensure the shelf clip is not loose or able to wiggle out of the shelf standard. See figs. 3 and 4.
4. Place the shelves on the shelf clips with the cross support bars facing down.

NOTICE >

 Be sure all shelf corners are properly seated.

Shelf Adjustment

Shelving is adjustable for customer application. This appliance meets the IEC Shelf Weight Capacity of 47lb/ft² (230kg/m²).

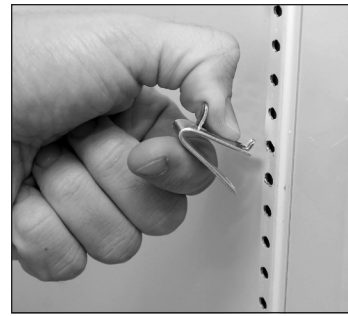


Fig. 1. Installing top tab of shelf clip.



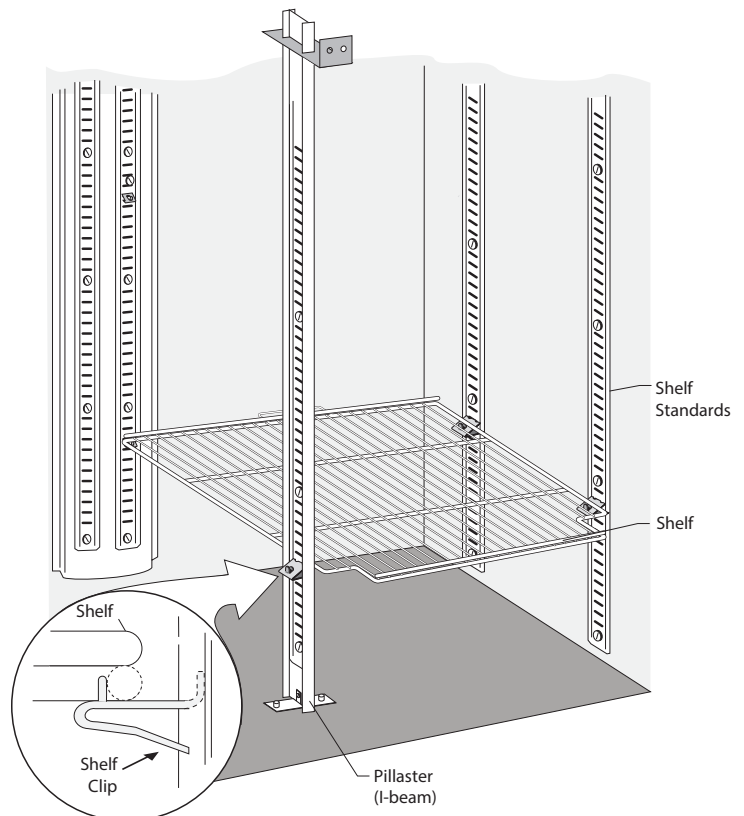
Fig. 2. The bottom tab of the shelf clip will fit tightly.



Fig. 3. You may need to squeeze or twist the bottom of the shelf clip to install.



Fig. 4. Installed shelf clip.



Installation & Setup (cont.)

Draft Tower Installation

Procedure

1. Position the rubber washer (see fig. 1) over the mounting holes in the cabinet countertop.
 2. Thread the beer line connector (see fig. 2) to the draft arm. See fig. 3.
 3. Run the beer line through the hole and into the cabinet. See fig. 4.
 4. With the provided hardware, install the draft arm. See figs. 5 and 6.
 5. Remove the top of the draft arm. See fig. 7a.
 6. Insert the air hose [1" (25.4mm) plastic tube] into the draft arm. See fig. 7b.
- NOTICE** > Take care to not disturb the insulation.
7. Hook the air hose clip to the insulating sleeve at the top of the draft arm. See fig. 8.
- NOTICE** > The clip ensures the chill hose, which keeps the beer faucet cold, remains correctly positioned.
8. Replace the top of the draft arm.

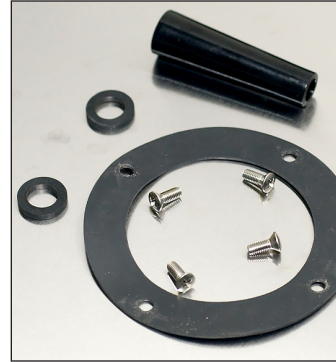


Fig. 1. Draft arm components; draft arm not shown.



Fig. 2. Be sure to insert the O-ring into the beer line connector.



Fig. 3. Attach the beer line connector to the draft arm.

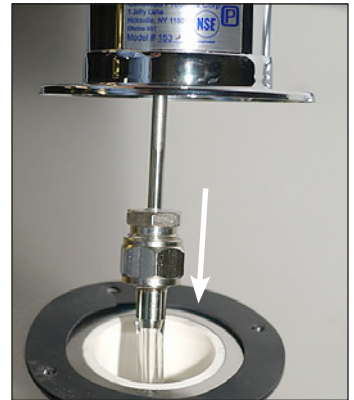


Fig. 4. Run the line into the cabinet to the draft arm.



Fig. 5. Ensure the rubber gasket is between the countertop and draft arm.



Fig. 6. Thread the handle onto the beer draft arm.

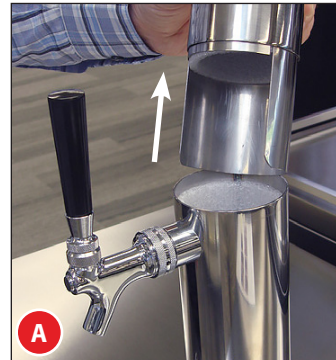


Fig. 7. Route the air hose through the draft tower from below.

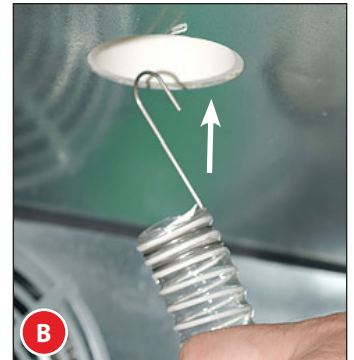
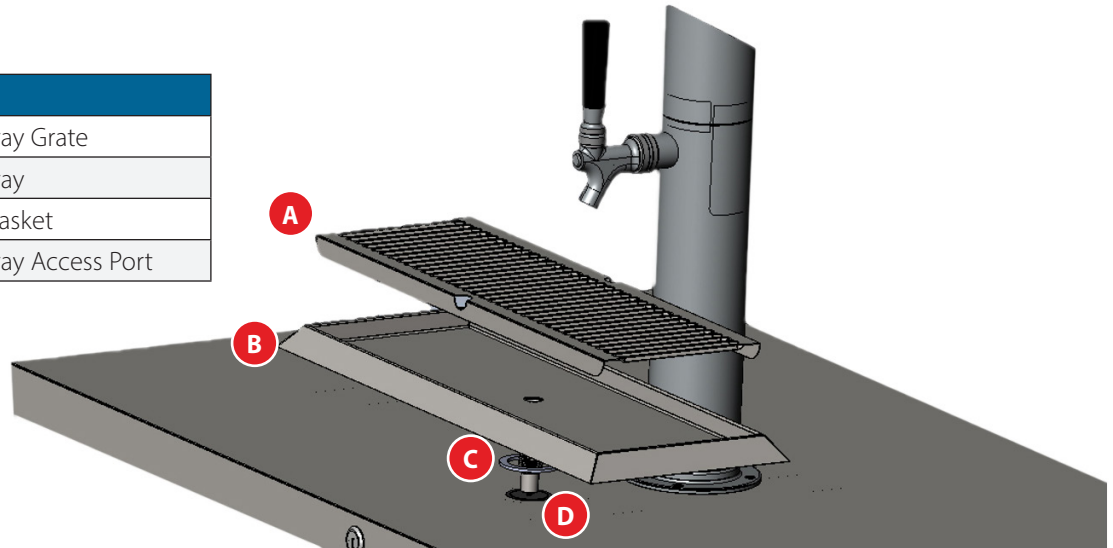


Fig. 8. Hang the chill hose clip over the beer line.

Installation & Setup (cont.)

Parts Key	
A	Spill Tray Grate
B	Spill Tray
C	Tray Gasket
D	Spill Tray Access Port



Draft Spill Tray

Procedure

1. Place the tray gasket over the spill tray tube.
2. Slide the spill tray tube into the spill tray access port.
3. Carefully position the spill tray on the countertop.
4. From the inside of the cabinet, thread the spill tray tube nut onto the tube securing the spill tray to the countertop. See figs. 1–3.

NOTICE > Hand tighten only.

5. Place the spill tray grate into the spill tray.
6. Place a 3/4" (19 mm) i.d. hose onto the spill tray tube.
7. With the draft spill tray positioned and secured, apply a bead of RTV Silicone (provided) to seal the spill tray to the countertop. See fig. 4.

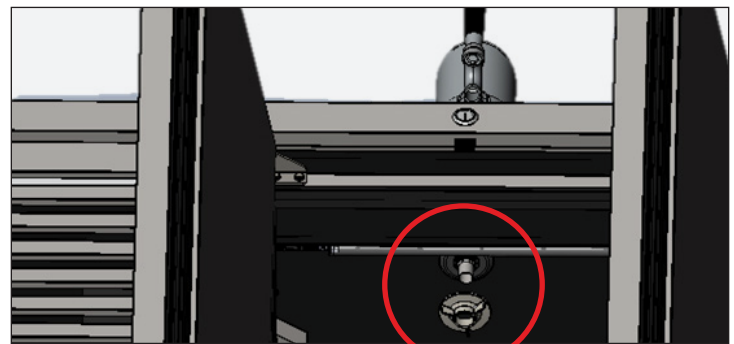


Fig. 1. Spill tray tube nut installation location.

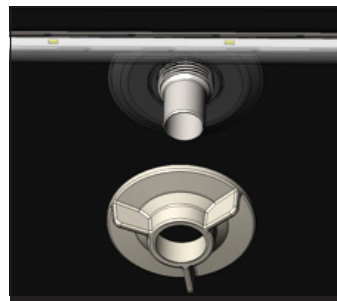


Fig. 2. Thread the spill tray tube nut.

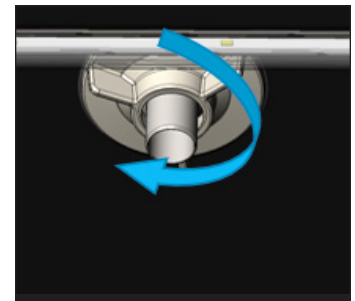


Fig. 3. Hand-tighten only.

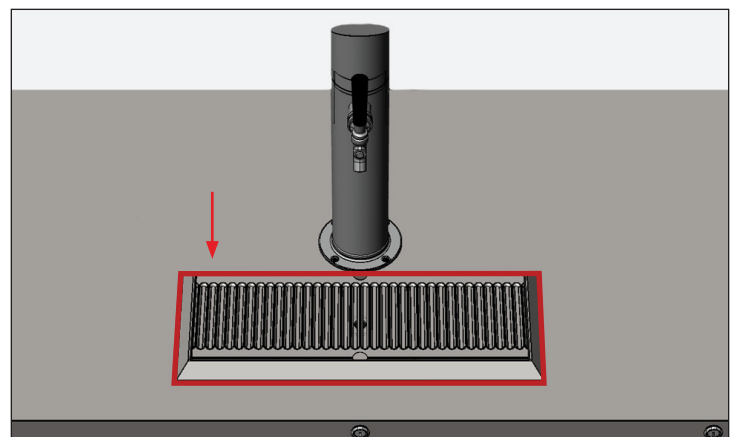


Fig. 4. Apply silicone around the spill tray.

Installation & Setup (cont.)

Air Distributor Manifold & Distributor Cover

A 2-way air distributor manifold is included to allow a single CO₂ supply line to pressurize two kegs. The air distributor is located behind the distributor cover. To access, lift the cover off the manifold mounting bracket. See figs. 1 and 2.

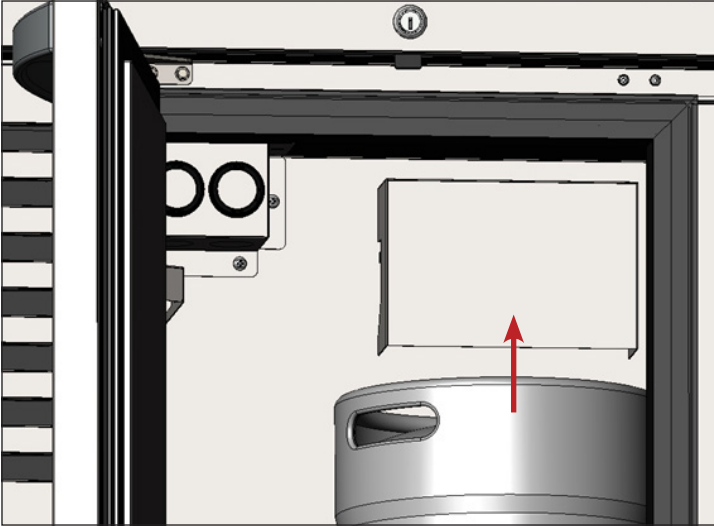


Fig. 1. Lift the distributor cover.

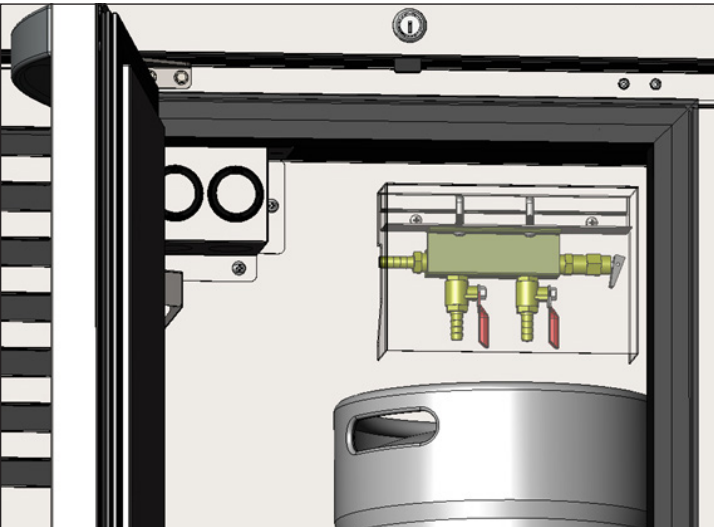


Fig. 2. The 2-way distributor manifold.

CO₂ & Keg Connections

⚠ WARNING!



Contents under pressure. Take care when handling filled CO₂ tanks. If unfamiliar with using CO₂ tanks and/or regulators, seek information from your local distributor or brewer representative before proceeding.

NOTICE > CO₂ cylinders, regulators, and keg tappers are not provided by TRUE.

Required Tools

Required tools include (but may not be limited to) the following:

- CO₂ Cylinder
- Pressure Regulator
- Tapper

NOTICE > Be sure to use hose clamps for all air and beer lines as applicable.

Procedure

1. Attach a pressure regulator to your CO₂ cylinder.
2. Connect the pressure regulator to the distributor manifold.
3. Connect the distributor manifold to your tapper(s).
4. Connect the draft tower beer line(s) to your tapper(s).
5. Attach the tapper(s) to your keg(s).
6. Open the pressure regulator valve and pressurize the system.

NOTICE > It requires 1/2 lb (0.23 kg) of CO₂ to dispense a half-barrel of beer at 38°F (3.3°C) with 15 psi (1.03 bar) of pressure on the barrel.
7. Engage your tapper(s)
8. Check all connection points for leaks. If the system leaks, verify all fittings and clamps are tight and seal correctly.

Installation & Setup (cont.)

Beer Drain Bottle & Hanger

An optional beer drain bottle and hanger may be purchased to collect the overflow from the draft spill tray. The bottle hanger slides over the top of the beer keg. See fig. 1.

Route a 3/4" (19 mm) I.D. vinyl hose from the spill tray tube into the drain bottle. Empty the bottle as determined by usage.

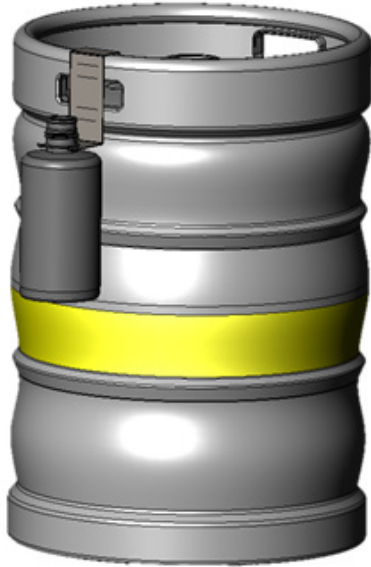
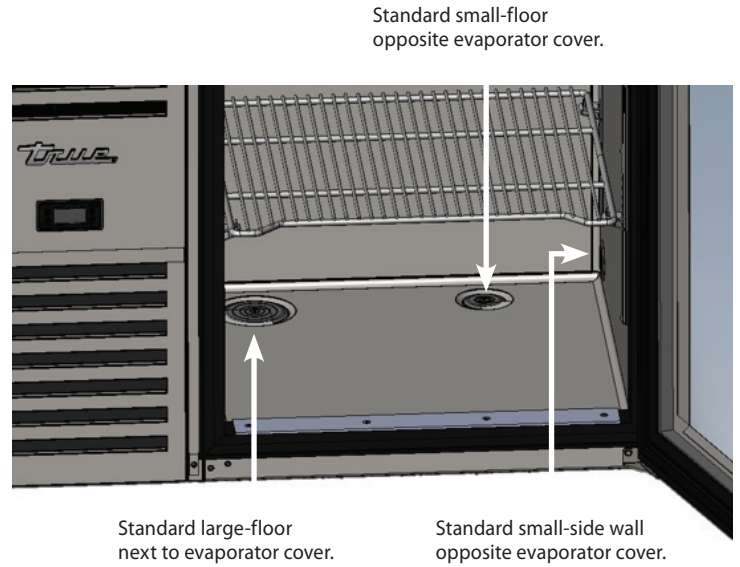


Fig. 1. Drain bottle and hanger on keg.

Access Ports

Access ports provide optional locations to route external beer lines, CO₂ lines, or overflow beer spill tray drain lines.

Carefully drill through the access port's inner and outer sleeves. Once the lines have been routed, seal around the line with food grade silicone.



Installation & Setup (cont.)

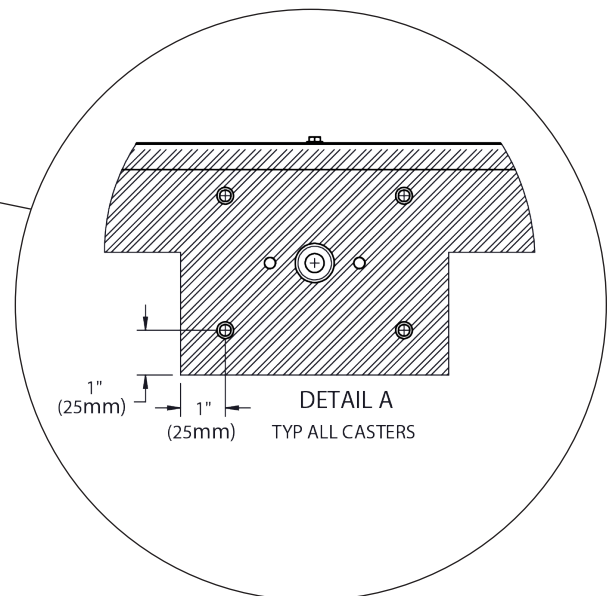
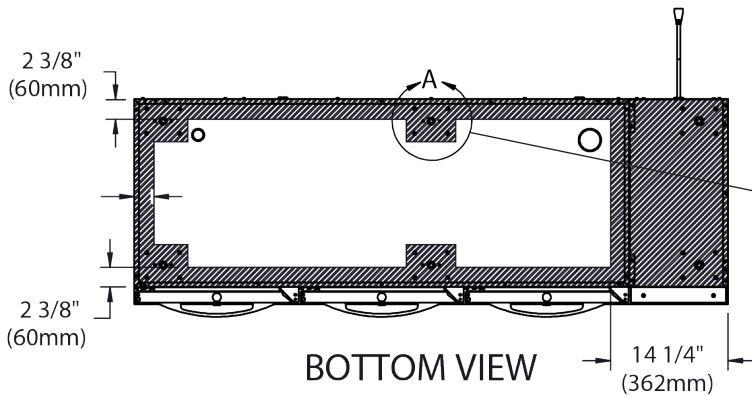
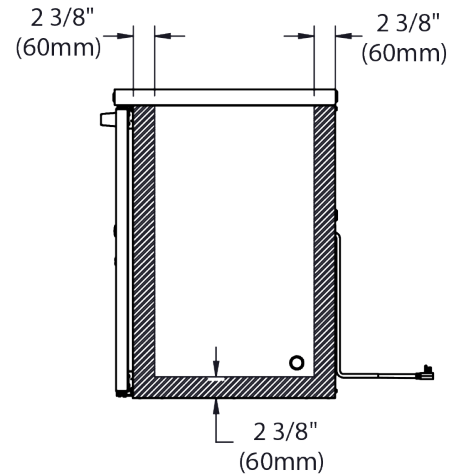
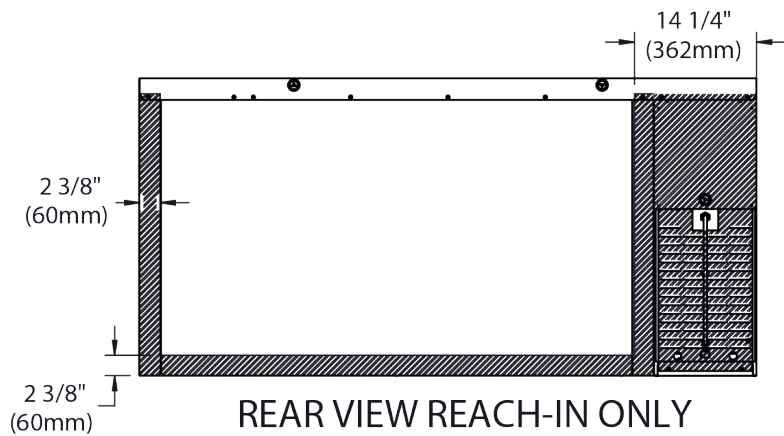
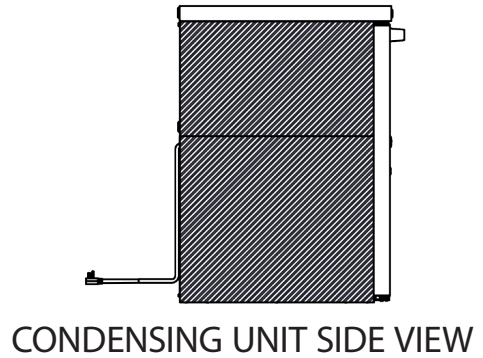
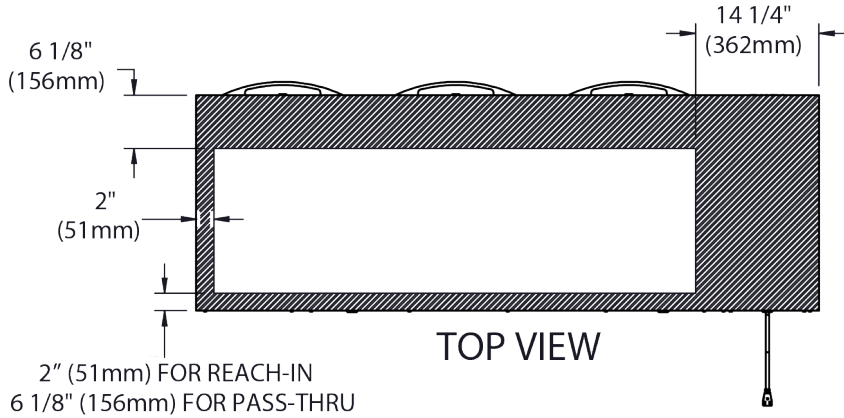
Access Ports (cont.)

DRILL ZONES* – No drilling allowed on any face with doors!

Access ports are available for purchase to plug drilled holes.

*Applies to all sizes. 3-door model shown.

NO DRILLING ALLOWED
Mirror dimensions for right-hand cooling systems

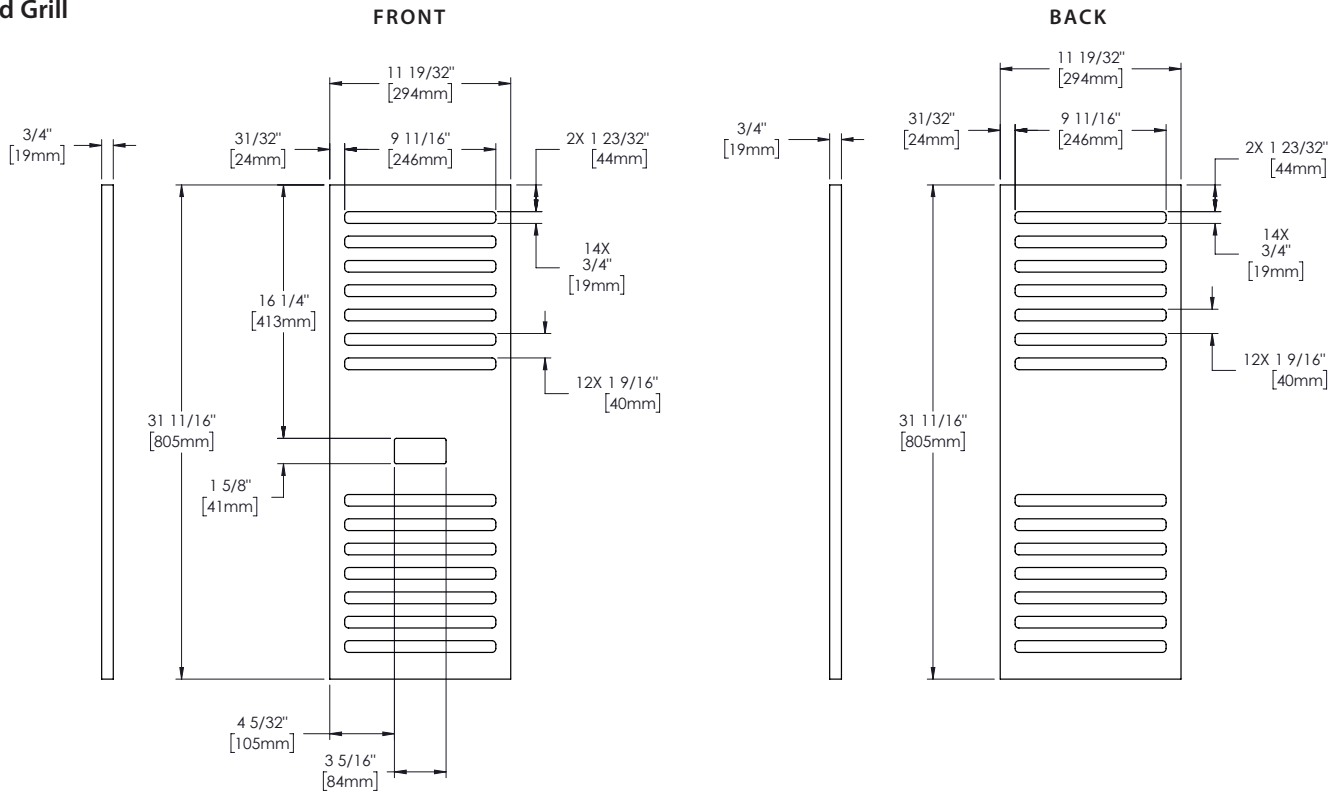


Installation & Setup (cont.)

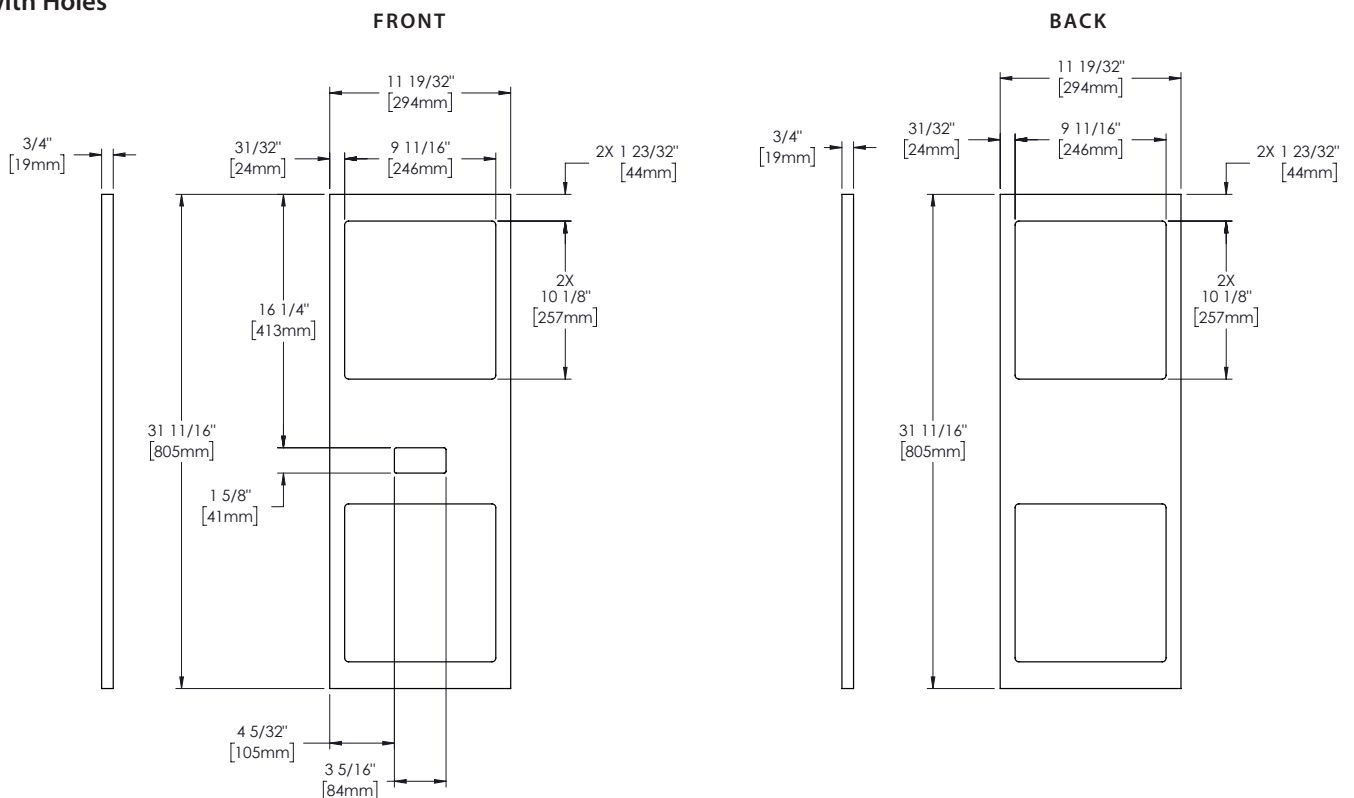
Overlay Panel Specifications

For panel installation instructions, see "Overlay Panel Installation" on (pg. 27).

Slotted Grill



Grill with Holes



Installation & Setup (cont.)

Overlay Panel Specifications (cont.)

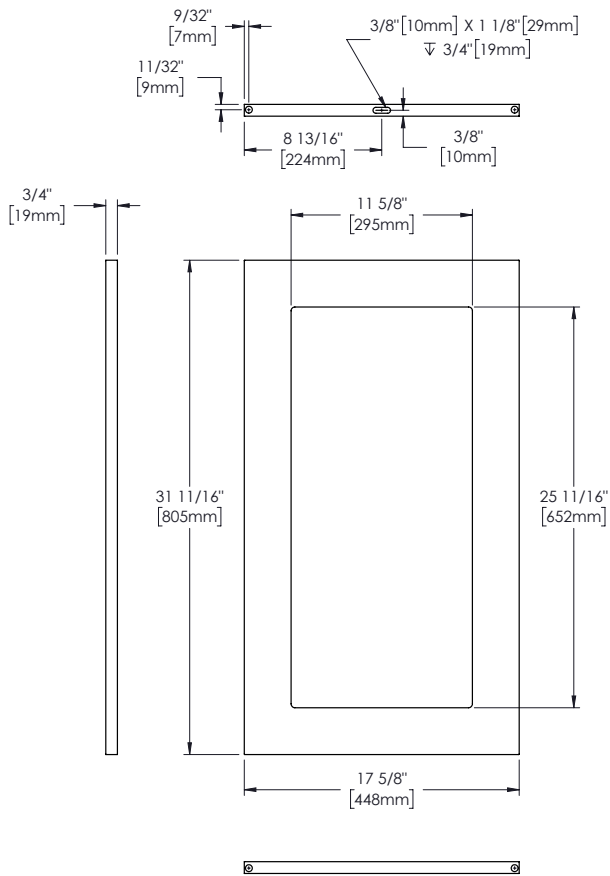
For panel installation instructions, see "Overlay Panel Installation" on (pg. 27).

EBR | EDR | TBR | TDR-48

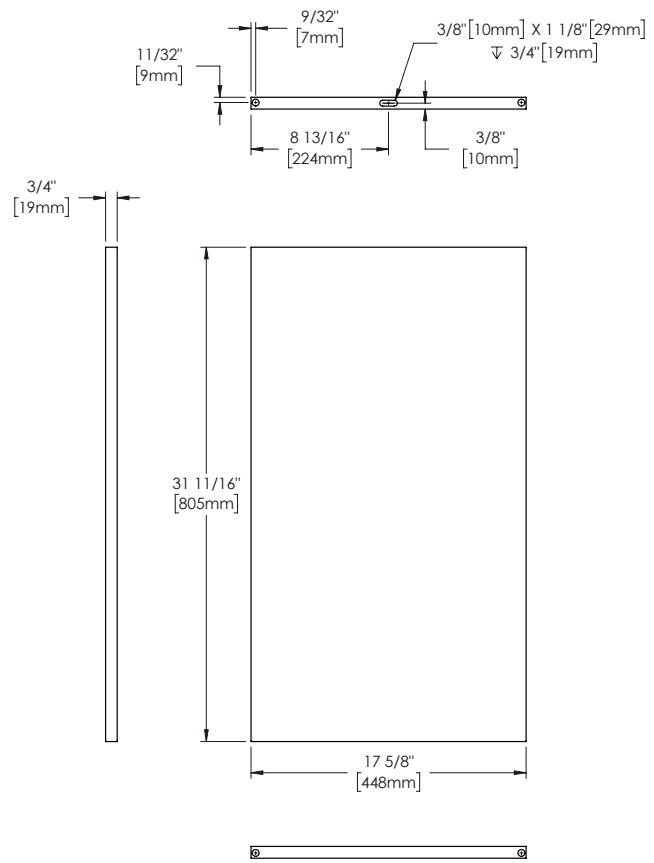
Glass Door Panel Specifications	
Width	17-5/8" (448 mm)
Height	31-11/16" (805 mm)
Depth	3/4" (19 mm)
Weight	15 lb (6.8 kg) max
Rail Style Dimension	2" (50.8 mm) max
Viewable Area Height	25-11/16" (652 mm)
Viewable Area Width	11-5/8" (295 mm)

Solid Door Panel Specifications	
Width	17-5/8" (448 mm)
Height	31-11/16" (805 mm)
Depth	3/4" (19 mm)
Weight	15 lb (6.8 kg) max
Rail Style Dimension	2" (50.8 mm) max

GLASS DOOR



SOLID DOOR



Installation & Setup (cont.)

Overlay Panel Specifications (cont.)

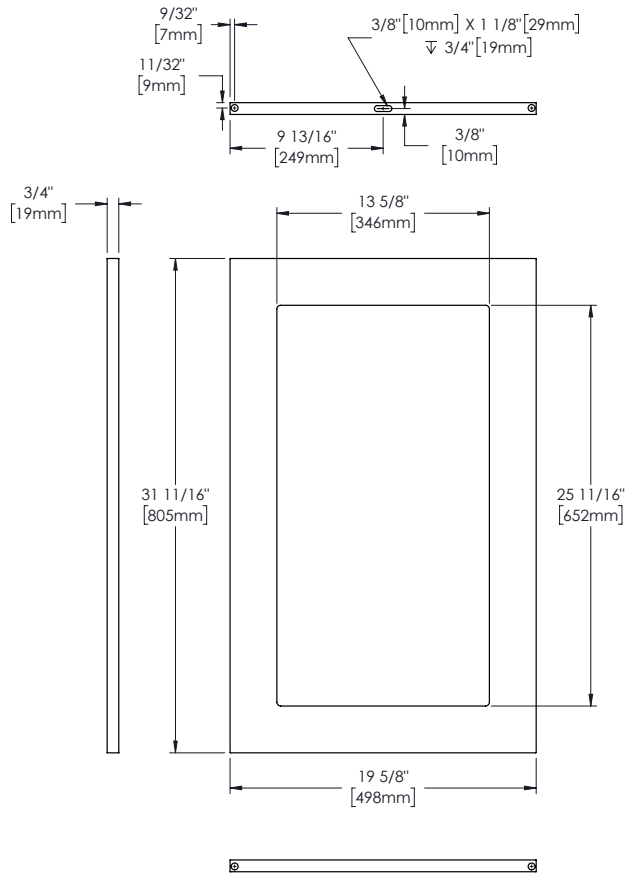
For panel installation instructions, see "Overlay Panel Installation" on (pg. 27).

EBR | EDR | TBR | TDR-32/52/72/92

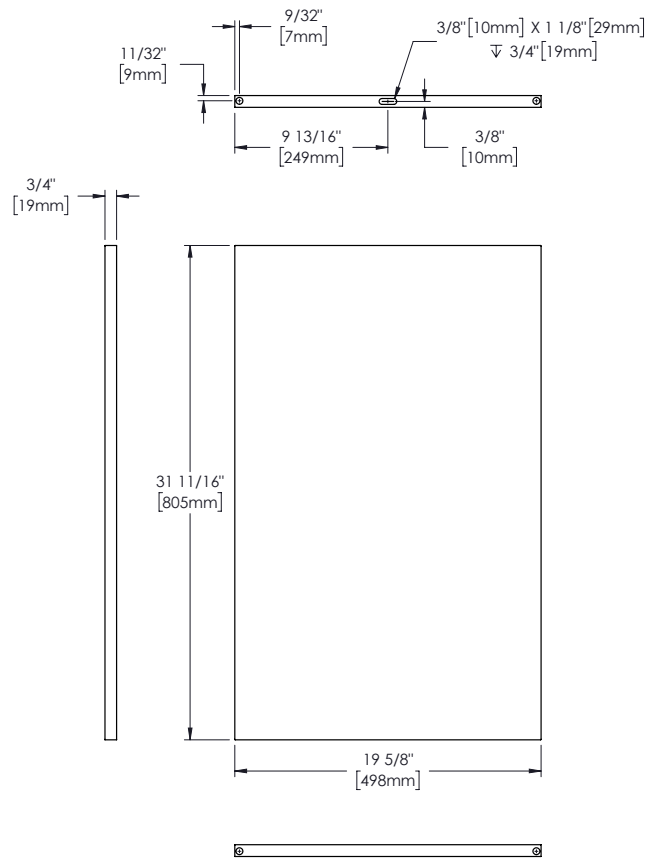
Glass Door Panel Specifications	
Width	19-5/8" (498 mm)
Height	31-11/16" (805 mm)
Depth	3/4" (19 mm)
Weight	15 lb (6.8 kg) max
Rail Style Dimension	2" (50.8 mm) max
Viewable Area Height	25-11/16" (652 mm)
Viewable Area Width	13-5/8" (346 mm)

Solid Door Panel Specifications	
Width	19-5/8" (498 mm)
Height	31-11/16" (805 mm)
Depth	3/4" (19 mm)
Weight	15 lb (6.8 kg) max
Rail Style Dimension	2" (50.8 mm) max

GLASS DOOR



SOLID DOOR



Installation & Setup (cont.)

Overlay Panel Specifications (cont.)

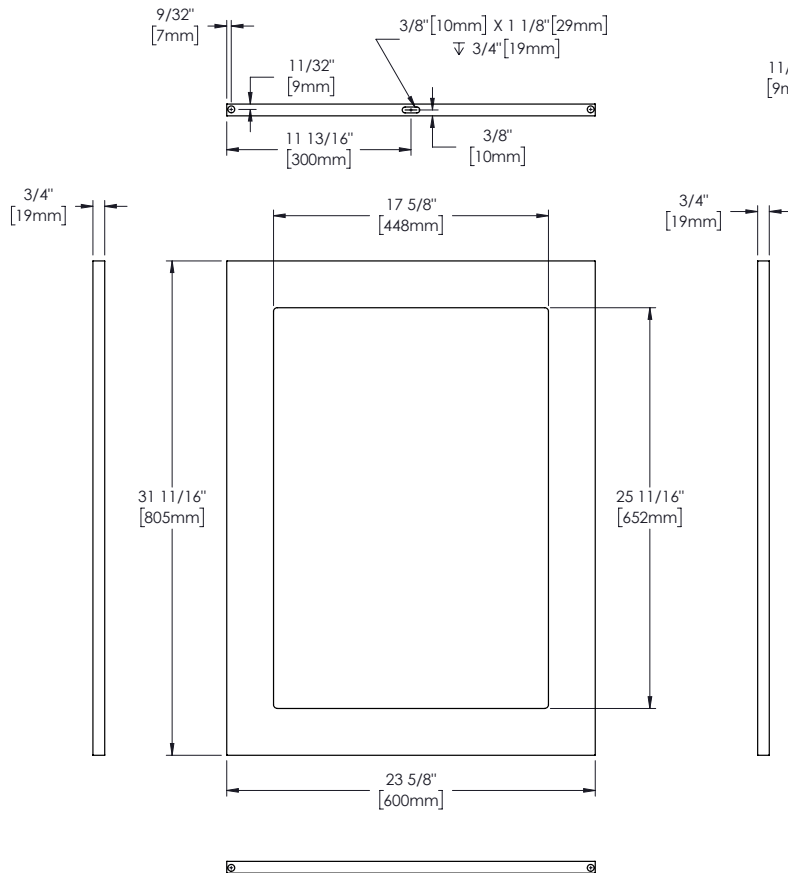
For panel installation instructions, see "Overlay Panel Installation" on (pg. 27).

EBR | EDR | TBR | TDR-36/60/84/108

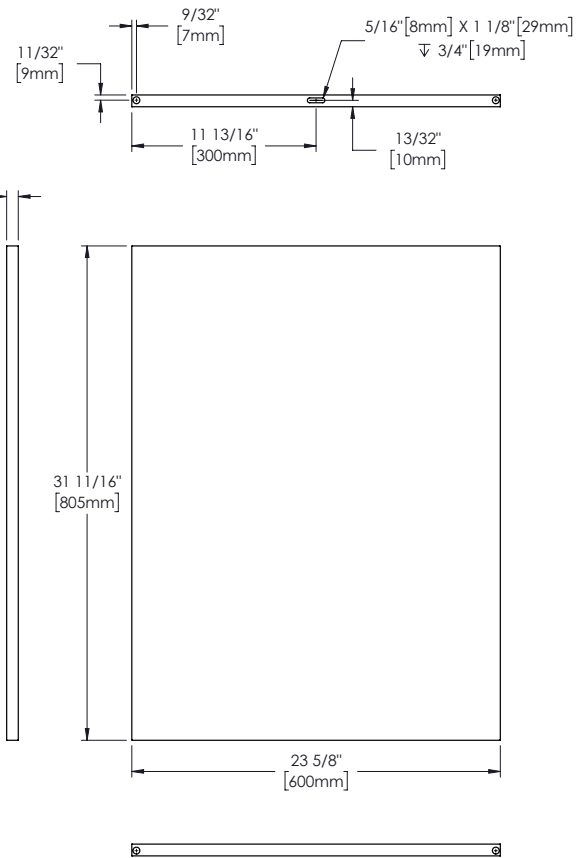
Glass Door Panel Specifications	
Width	23-5/8" (600 mm)
Height	31-11/16" (805 mm)
Depth	3/4" (19 mm)
Weight	15 lb (6.8 kg) max
Rail Style Dimension	2" (50.8 mm) max
Viewable Area Height	25-11/16" (652 mm)
Viewable Area Width	17-5/8" (448 mm)

Solid Door Panel Specifications	
Width	23-5/8" (600 mm)
Height	31-11/16" (805 mm)
Depth	3/4" (19 mm)
Weight	15 lb (6.8 kg) max
Rail Style Dimension	2" (50.8 mm) max

GLASS DOOR



SOLID DOOR



Installation & Setup (cont.)

Overlay Panel Installation

⚠ NOTICE!

!

Take care to not damage the panel finish!

This instruction demonstrates using cardboard from the unit's exterior packaging for surface protection.

Recommended panel thickness is 3/4" (19.05 mm).

Required Tool(s)

- Surface Protection*
- Phillips Screwdriver
- 2+ Clamps [≥2" (50.8 mm)]
- 5/16" Socketwrench
- 5/8" (15.8751 mm) Screws**
- Tape Measure
- Marking Utensil
- Tape
- 3/8" Drill Bit
- 17/64" Drill Bit
- Drill

*Cardboard, moving blanket, foam padding, etc.

**Required quantities vary by application. Be sure the screws are shorter than the panel thickness.

Grill Overlay Installation Procedure

1. Carefully lay the grill overlay panel facedown on a protected surface.
2. With a Phillips screwdriver, remove the cabinet grill. See fig. 1.
3. Place the grill facedown on the overlay panel. Then, center the grill and overlay. See fig. 2.

NOTICE >

 Center the cabinet grill and overlay panel at the corners.
4. Clamp the grill and overlay. See fig. 2.

NOTICE >

 If the clamp jaws are not padded, insert padding between the clamp and the overlay to protect the panel's finish.
5. Fasten the overlay to the grill. See fig. 3.

NOTICE >

 Be sure the mounting screws are shorter than the overlay panel thickness.
6. Remove the clamps, and then reinstall the grill.

Glass & Solid Door Overlay Installation

Procedure

1. Carefully lay the door overlay panel facedown on a protected surface.
2. With a 5/16" socketwrench, remove the cabinet door. See fig. 4.
3. Remove the door gasket, top hinge pin & bushing (fig. 5a), and door cam riser (fig. 5b).
4. Place the door facedown on the overlay. Then, center the door and overlay. See fig. 6.

NOTICE >

 Center the door and overlay panel at the corners.



Fig. 1. Pull the top of the cover forward and then lift.



Fig. 2. Center the overlay and grill at the corners. The panel is slightly larger than the grill.

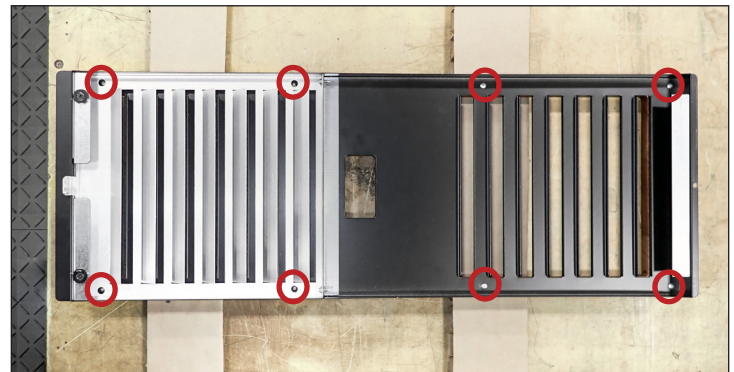


Fig. 3. Cabinet grill predrilled hole locations.



Fig. 4. Carefully remove the door from the unit.

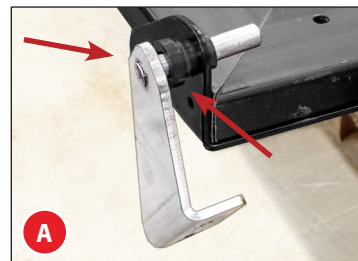


Fig. 5. Remove the top hinge pin & bushing (A) and the door cam riser (B) from the hinge brackets. Do not remove the hinge brackets.

Installation & Setup (cont.)

Overlay Panel Installation (cont.)

Procedure (cont.)

- Clamp the door and panel. See fig. 6.

NOTICE > If the clamp jaws are not padded, insert padding between the clamp and the overlay to protect the panel's finish.

- Fasten the overlay to the door (see fig. 7). Then, remove the clamps.

NOTICE > Be sure the mounting screws are shorter than the panel width.

- Mark the drill bits with the measures below. See fig. 8.

- 3/8" bit at 1/2" (25.4 mm)
- 17/64" bit at 1-1/8" (28.575 mm)

- Carefully** drill holes for both hinges as described below. See fig. 9.

- Drill the 3/8" hinge bushing/cam hole.
- At the center of the bushing hole, drill the 17/64" hinge pin hole.

NOTICE > Drill the hinge pin hole until the mark reaches the hinge bracket, not the bottom of the bushing hole. See fig. 9.

! NOTICE!



Be sure to drill straight down to prevent cracking the overlay and/or drilling through the side.

- With the existing hardware, install the door handle(s). See figs. 10 and 11.

- Install the hinge components.

- Install the gasket.

NOTICE > Verify the gasket is fully seated in the gasket channel. See fig. 12.

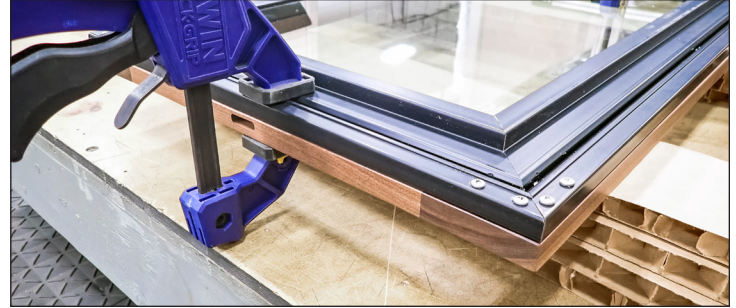


Fig. 6. Be sure the overlay's center slot is positioned at the top of the door.

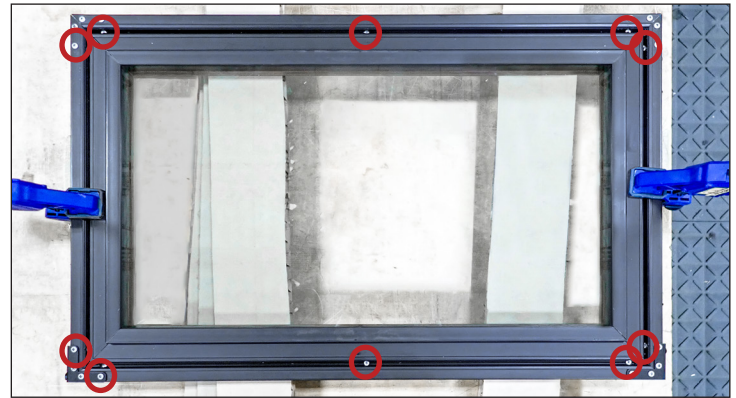


Fig. 7. Cabinet door predrilled hole locations.



Fig. 8. Mark the hole depths on the drill bits.



Fig. 9. Drill the 3/8" hole first. THEN drill the 17/64" hole.

Installation & Setup (cont.)



Fig. 10. Handle screw locations.

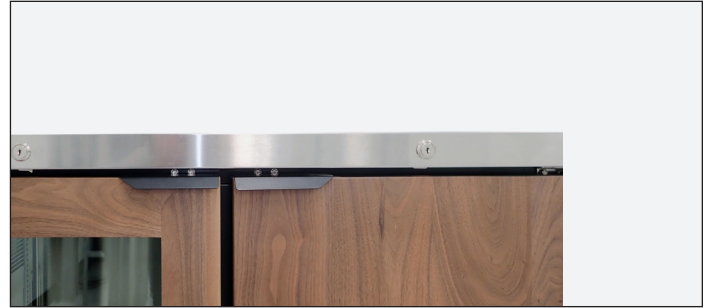


Fig. 11. Installed door handles.

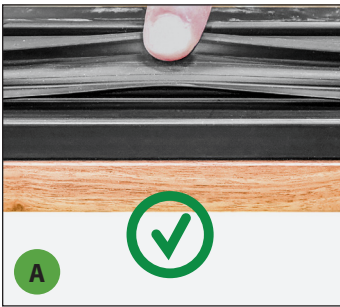


Fig. 12. Pull the side of the gasket to check its installation.
A: CORRECT; gasket channel is NOT visible.
B: INCORRECT; gasket channel is visible.

Appliance Operation

Appliance Operation

⚠ WARNING – SPOILAGE!



The owner is solely responsible for ensuring safe holding temperature levels for all food items. Failure to do so may result in unsafe food products. Loss or spoilage of products in your appliance is not covered by warranty. In addition to following recommended installation procedures, run the appliance for 24 hours prior to usage to verify operation.



Startup

ⓘ USER ACTION!




Before loading product, run your TRUE appliance empty for 24 hours to verify proper operation. Remember, our factory warranty **DOES NOT** cover product loss!

- The compressor is ready to operate when the appliance is purchased. All you need to do is plug in the appliance.
- Good air flow inside your TRUE appliance is critical. Take care to prevent product from pressing against the sides or back wall and coming within 4" (101.6 mm) of the evaporator housing. Refrigerated air off the evaporator coil must circulate throughout the appliance for even product temperatures.
- Excessive tampering with the control could lead to service difficulties. If replacing the temperature control is ever needed, be sure to order the replacement from your TRUE dealer or recommended service agent.
- All covers and access panels must be in place and properly secured before operating this appliance.

Appliance Operation (cont.)

Temperature Control & Light Switch Location

The light symbol  shows the approximate location of the light switch.



Factory Installed TruLumina LED

To change the display color of the TruLumina LEDs, toggle the light switch off and then on. Repeat to cycle through all available colors. Leaving the light switch in the "off" position for two seconds will turn off the lights.

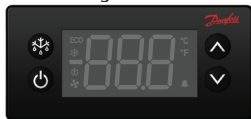
Light Switch on Glass Door Models

Inside the top ceiling.



Electronic Temperature Control

On the front of grill.



Appliance Operation (cont.)

General Sequence of Operation — Refrigerator and Freezer Appliances

! USER ACTION!



For more information regarding a appliance's temperature control adjustment or general sequence of operation, please see our Temperature Control Adjustment—Sequence of Operation Manual in our resource library at truemfg.com/support/manuals/#panel4 or scan the **QR code**.

When the appliance is plugged in:

- Interior lights will illuminate on glass door models (see Temperature Control & Light Switch Location, pg. 31).
- An electronic control with digital display will illuminate (if installed).
- There may be a short delay before the compressor and/or evaporator fan(s) start. This delay may be determined by time or by temperature, which could be the result of an initial defrost event that will last at least 6 minutes.
- The temperature control/thermostat may cycle the compressor and evaporator fan(s) on and off together. Every appliance will require a defrost event to ensure the evaporator coil remains clear of frost and ice buildup. Defrost is initiated by a defrost timer or by the electronic control.

EXCEPTION – Models TSID, TDBD, TCGG, and TMW do not have an evaporator fan(s).

- The temperature control/thermostat senses either an evaporator coil temperature or air temperature, NOT product temperature.
- An analog thermometer, digital thermometer, or electronic control display may reflect the refrigeration cycle swings of up and down temperatures, NOT product temperature. **The most accurate method to determine a appliance's operation is to verify the product temperature.**
- Refrigerators with mechanical temperature controls will defrost during every compressor off-cycle.
- Freezers with mechanical temperature controls will defrost by time initiation as determined by a defrost timer.

EXCEPTION – Models TFM, TDC, THDC and TMW require a manual defrost. The frequency of this manual defrost will depend on the appliance's usage and ambient conditions.

- An electronic control with a digital display (if installed) will show **dEF** during defrost.

NOTICE > The display may have a short delay before showing a temperature after a defrost event has expired and instead show **dEF** during a refrigeration cycle.

- Models with an analog or digital thermometer may show higher than normal temperatures during defrost.
- A refrigerator will use the evaporator fans to clear the coil during defrost.

EXCEPTION – Models TSID, TDBD, and TCGG do not have an evaporator fan(s).

- A freezer will use heaters to clear the evaporator coil during defrost.

NOTICE > The evaporator coil heater and drain tube heater are only energized during defrost. Defrost is terminated when a specific evaporator coil temperature is reached or by a time duration.

Appliance Operation (cont.)

Draft Beer Storage, Handling & Operation

DRAFT BEER SHOULD BE TREATED AS A FOOD PRODUCT.

In most instances draft beer is **not pasteurized**. It is very important that you store and handle it properly.

Follow these steps to ensure the highest quality and consumer satisfaction.

- Immediately store draft beer in a refrigerated cabinet.
- Draft beer products have a recommended shelf life. If you have questions regarding the shelf life of any of your draft products, please consult with your supplying depot or respective brewer representative.
- Store kegs separately from food products. If your cooler is used to refrigerate draft and food products, **DO NOT** store food near or on the kegs.
- Keep keg storage and dispensing areas clean to prevent any possibility of contaminating your draft products.

Temperature

Correct temperature is a key factor in storing and dispensing draft beer. Beer that is too cool or too warm may be subject to flavor loss, off taste and dispensing problems.

Helpful Hints for Controlling Temperature

- Keep a thermometer handy.
- Monitor the draft temperature in the cooler and at the tap.
- Keep cooler door closed as much as possible to avoid temperature fluctuation.
- Regular maintenance of refrigeration equipment is recommended.

Pressure

Dispensing pressures differ based on the following:

- Draft dispensing line length.
- Draft dispensing system type.
- Actual product (pressure requirements vary).
- Product temperature.
- Pressurizing agent: Air pressure, CO₂ or special blended gases.

Helpful Hints on Maintaining the Correct Pressure

- Know which pressurizing agent to use on which product, and why.
- Monitor your regulators to ensure applied pressure remains constant.
- Keep equipment in good repair.

Tapping

DO NOT agitate the kegs unnecessarily. If excessive agitation occurs, allow kegs to settle 1 to 2 hours before tapping.

Prior to tapping the keg, ensure all beer faucets in the serving location are in the off position. Completely remove the dust cover (identification cap) from the keg.

Appliance Operation (cont.)

Changing CO₂ Gas Cylinder

⚠ WARNING!



Contents under pressure. Take care when handling filled CO₂ tanks. If unfamiliar with using CO₂ tanks and/or regulators, seek information from your local distributor or brewer representative before proceeding.

⚠ CAUTION!



Always follow these instructions when you replace a CO₂ gas cylinder.

Procedure

1. Close cylinder valve **A**.
2. Remove tap head **D** from the barrel. Pull the pressure release ring on the body of the tap to release pressure remaining in the line (**DO NOT** close regulator shut-off **C**).
3. Remove or loosen regulator key **B** by turning counter clockwise.
4. Remove the regulator from used cylinder at outlet **E**.
5. Remove the dust cap from new gas cylinder at outlet **E** and clear dust from the outlet by opening and closing valve **A** quickly using appropriate wrench.
6. Attach the regulator to the new cylinder at outlet **E** (use new fiber/plastic washer, if required).
7. Completely open valve **A**.
8. Close valve **C**.
9. Adjust regulator key **B** by turning clockwise to set pressure. Check setting by opening **C** and pulling and releasing the ring **F** on the pressure release valve on the body of the tap.
10. Tap the barrel at **D** with valve **C** open.

NOTICE >

- **DO NOT** lay CO₂ cylinders flat.
- **DO NOT** drop CO₂ cylinders.
- It requires 1/2 lb. (0.23 kg) of CO₂ to dispense a half-barrel of beer at 38°F (3.3°C) with 15 psi (1.03 bar) of pressure on the barrel.

Pressure Adjustment on CO₂ Regulator

⚠ WARNING!



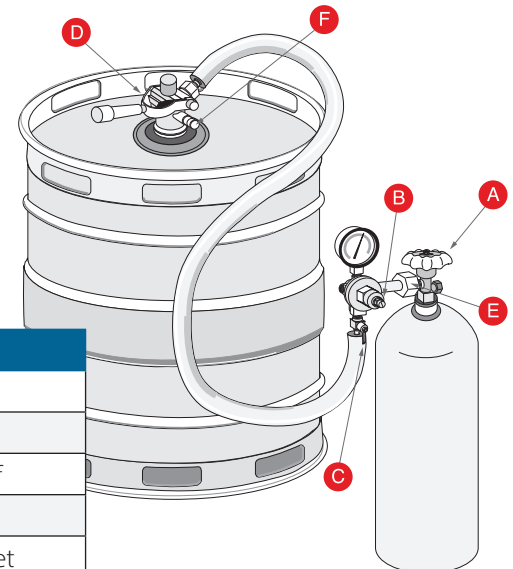
Contents under pressure. Take care when handling filled CO₂ tanks. If unfamiliar with using CO₂ tanks and/or regulators, seek information from your local distributor or brewer representative before proceeding.

Increasing Pressure — Procedure

1. Close regulator shut-off **C**.
2. Turn the regulator key **B** clockwise and adjust setting.
3. Tap the gauge for an accurate reading.
4. Open regulator shut-off **C** and draw beer.

Decreasing Pressure — Procedure

1. Close regulator shut-off **C**.
2. Untap the barrel at **D** and to bleed line, activate the tap handle. Leave it in the open position.
3. Slowly open regulator shut-off **C** and simultaneously turn regulator key **B** counter-clockwise to zero reading.
4. Close regulator shut-off **C** and set pressure by turning regulator key **B** clockwise. Check the setting by opening and closing valve **C**.
5. Close the tap head **D** (put in **OFF** position).
6. Tap the barrel at **D** and open regulator shut-off **C**.



Parts Key

A	Cylinder Valve
B	Regulator Key
C	Regulator Shut-off
D	Tap Head
E	CO ₂ Cylinder Outlet
F	Ring

Maintenance & Servicing

Maintenance & Servicing

⚠ WARNING!	
	<ul style="list-style-type: none"> • Only qualified technicians should install and service the appliance. For assistance finding a qualified technician, please visit our Service Company Locator at truemfg.com/support/service-locator. • Turn off and lockout all utilities (gas, electric, water) according to approved practices during maintenance or servicing.
 	<p>The appliance owner is responsible for performing a Personal Protective Equipment (PPE) Hazard Assessment and ensuring adequate protection during maintenance and cleaning procedures.</p> <p>Use appropriate tools, safety equipment, and PPE during installation and servicing.</p>
	<p>Sharp Edges!</p> <ul style="list-style-type: none"> • Take care when moving, installing, cleaning, servicing, and maintaining the ice machine to avoid cuts. Be sure to take care when reaching under the ice machine or handling metal components. • Stay clear of pinch point areas, such as the space between appliance doors and surrounding cabinetry. Take care closing doors with children nearby.

⚠ WARNING!	
	<p>Risk of electric shock or burn!</p> <ul style="list-style-type: none"> • Powering off an electronic control or setting temperature controls to the 0 (off) position DOES NOT remove power from all components. Unplug the appliance or turn off the power supply before installation or servicing. • DO NOT clean appliance with a pressure washer or hose.
	<p>Flammable refrigerant/insulation used! Have a licensed service provider service your appliance to minimize the risk of possible ignition due to incorrect parts or improper service and to ensure the operator's health and safety.</p>
	<p>Crush or cut hazard! Keep clear when uncrating, installing, moving, or servicing the appliance.</p>
	<p>Slippery Surfaces! Moisture from improper drainage can create slippery surfaces near the appliance. It is your duty to immediately warn your customers of, and dry, the slippery surface. All wet floor areas must be marked with a wet floor sign.</p>

Maintenance & Servicing (cont.)

ⓘ USER ACTION!

- For additional maintenance instruction, please visit the media center at truemfg.com.
- Any appliance adjustments are to be made **AFTER** the appliance has been verified level and properly supported.

ⓘ NOTICE!

The appliance owner is responsible for maintaining the appliance as described in the installation manual. Routine care and maintenance procedures are not covered by TRUE's warranty.

Component Replacement

- Replace components with original equipment manufacturer (OEM) components such as those shown in fig. 1. OEM parts minimize the risk of possible ignition due to incorrect parts. Use of non-OEM components may void TRUE's warranty.
- Have a licensed service provider service your appliance to minimize the risk of possible ignition due to incorrect parts or improper service and to ensure the operator's health and safety.



Fig. 1. Example of OEM parts.

Maintenance & Servicing (cont.)

Recommended Maintenance

See recommended maintenance tasks and frequencies below. Some tasks may be required more frequently based on your installation.

Maintenance Tasks	Monthly	Quarterly	Annually
Verify the appliance maintains product temperature.	X	X	X
Inspect power cord for damage; if damaged, replace immediately.	X	X	X
Verify the power cord is fully plugged into the wall receptacle			X
Inspect the overall condition of the appliance and its components (such as castors, doors, and hinges).	X	X	X
Verify operation of all moving parts (such as fan motors, doors and door cords).			X
Check physical condition of all gaskets; verify gaskets seal correctly.		X	X
Inspect any lamps, lamp holder connections, LED modules, and LED module connections.	X	X	X
Check all condenser coils (fronts and backs) for dust and debris; if present, clear the debris.	X	X	X
Check physical condition of all condenser coils and evaporator coils; straighten coil fins as needed.		X	X
Check all evaporator coils for dust and debris; if present, clear the debris.		X	X
Verify the drain line is clear of debris.		X	X

Maintenance & Servicing (cont.)

Model: _____

Serial Number: _____

Jan.	Feb.	Mar.	Apr.	May	Jun.	Jul.	Aug.	Sep.	Oct.	Nov.	Dec.

Maintenance & Servicing (cont.)

Draft Tower Cleaning

Regardless of design, draft dispensers must be cleaned regularly. Flushing the draft dispenser with only water is not enough to maintain cleanliness. True recommends cleaning the draught dispenser whenever changing to a fresh keg.

Clean dispensers ensure your draft beer will be at its best when served. Although the beer in the barrel is in excellent condition, the beer can become less satisfying if drawn through a beer line and faucet that are not kept clean.

NOTICE > Use cleaners approved by your beer supplier and follow their instructions. If you are using the cleaning kit purchased from TRUE, follow the instructions below:

Prepare Solution

Add 1/2 oz. (14.2 g) of cleaning solution to each quart of warm water. Fill the pump bottle with the mixed cleaning solution.

Procedure

1. Shut-off the CO₂ at the regulator.
 2. Remove the tapping device (keg coupler) from the keg.
 3. Unscrew the handle the from faucet.
 4. Remove the beer faucet with the spanner wrench; turn the faucet clockwise to remove. See fig. 1.
 5. Put the tap and faucet parts in a bucket.
 6. Thread the pump bottle hose to the beer column tap outlet and allow the beer line to drain in the bucket. See fig. 2.
- NOTICE >** Be sure the rubber gasket is in place to prevent leaks.
7. Pump the solution from the bottle through the beer line(s) and into the bucket. Wait 10 minutes while the cleaning solution works through the lines.
 8. With the supplied brush, clean the beer faucet parts. See fig. 3.
 9. Rinse all parts thoroughly.
 10. Rinse the bucket, pump bottle and hose thoroughly with clean cool water.
 11. Fill the pump bottle with clean cool water and pump water through lines until it runs clear. Repeat as necessary.
 12. After the water runs clear, assemble and install the faucet. Then re-tap the keg.

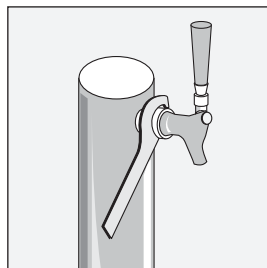
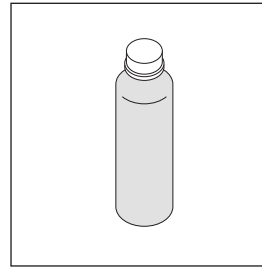
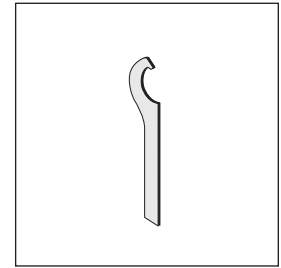


Fig. 1. Carefully remove the faucet.

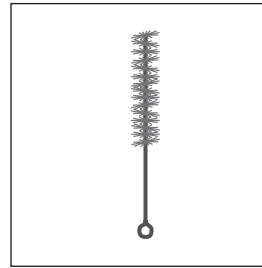
Beer Tap Cleaning Kit – Required Tools



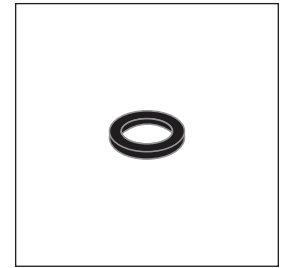
BLC System Cleaner



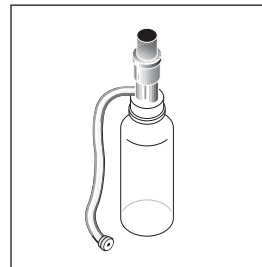
Spanner Wrench



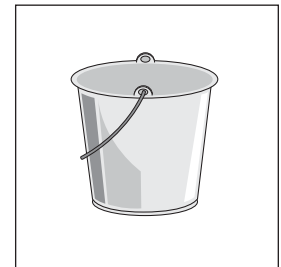
Brush



Rubber Gasket



Pump Bottle & Tube



Bucket & Fresh Water

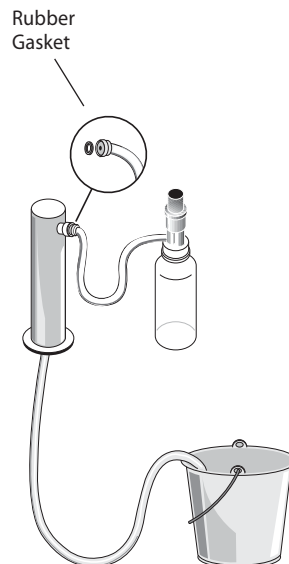


Fig. 2. Drain the beer from the line.

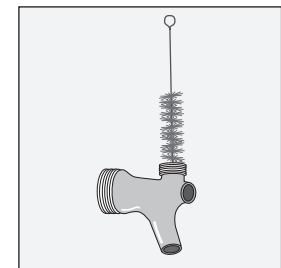









Fig. 3. Thoroughly clean the faucet components.

Maintenance & Servicing (cont.)

Condenser Coil Cleaning

⚠ WARNING!	
  	<p>The appliance owner is responsible for performing a Personal Protective Equipment (PPE) Hazard Assessment and ensuring adequate protection during maintenance and cleaning procedures.</p> <p>Use appropriate tools, safety equipment, and PPE during installation and servicing.</p>
	<p>Risk of electric shock or burn!</p> <ul style="list-style-type: none"> • Unplug the appliance or turn off the power supply before installation or servicing. • DO NOT clean appliance with a pressure washer or hose.
	<p>Sharp edges! Coil fins are sharp and metal components can have sharp edges. Take care when moving, installing, cleaning, servicing, and maintaining the appliance to avoid cuts.</p>
	<p>Risk of eye injury! Airborne dust and debris can cause eye injury. Eye protection recommended.</p>

ⓘ NOTICE!	
	<p>The cleaning of the condenser coil is not covered by warranty!</p>

Required Tools

Required tools include (but may not be limited to) the following:

- 1/4" nut driver
- 3/8" nut driver
- Stiff bristle brush
- Tank of compressed air
- Vacuum cleaner
- Flashlight
- Eye protection

Procedure

1. Disconnect power to unit.
2. Remove the screw securing the louvered grill to the cabinet. See fig. 1.
3. Pull on the grill assembly to release it from the magnetic brackets. See fig. 2.
4. Carefully clean off accumulated dirt from the front fins of the condensing coil with a stiff bristle brush. See fig. 3.
5. With dirt removed from the surface of the coil, use a flashlight to verify that you can see through the coil and observe the condenser fan blade spinning. See fig. 4.

If the view is clear, reinstall louvered grill, connect unit to power and verify operation.

If the view is still blocked with dirt, proceed to step 6.

6. Remove the condenser base bolts. See fig. 5.
7. Remove the condenser coil brackets. See fig. 6.
8. Carefully slide the condensing unit out (tubing connections are flexible). See fig. 7. Gently blow compressed air or CO₂ through the coil until it is clean.
9. Carefully vacuum any dirt around and behind the condensing unit area.
10. Carefully slide the compressor assembly back into position and replace the bolts.
11. Reinstall the louvered grill, connect power to the unit, and verify operation.

Maintenance & Servicing (cont.)



Fig. 1. Louver grill screw location.

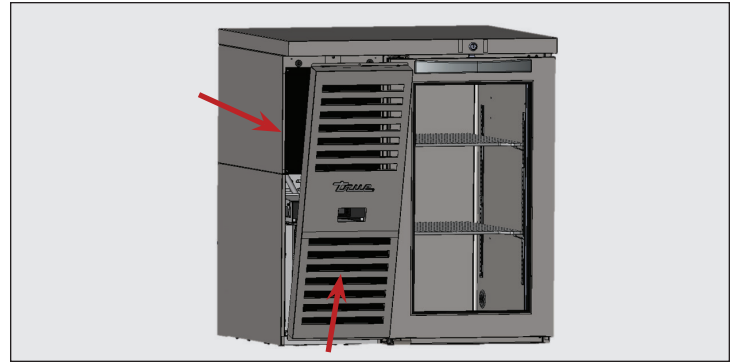


Fig. 2. Pull the grill forward before lifting up.

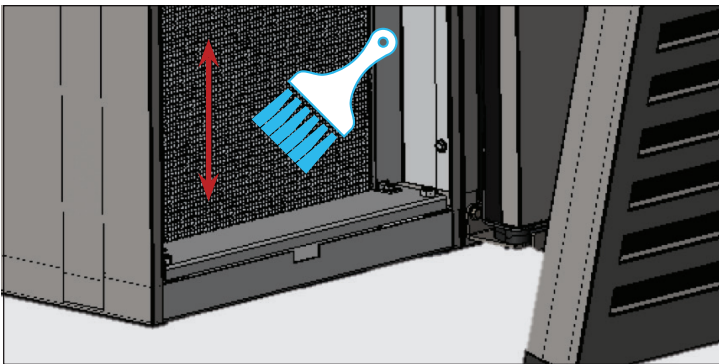


Fig. 3. Never brush across the coil fins.

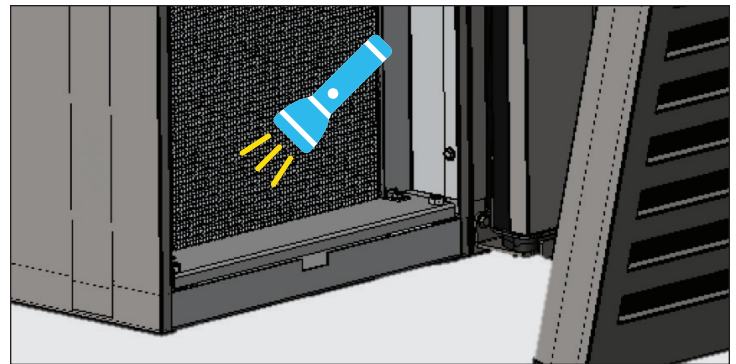


Fig. 4. Verify all blockages have been removed.

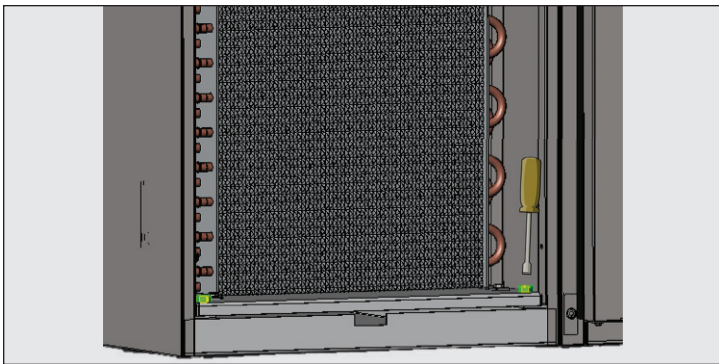


Fig. 5. Remove the condensing base bolts.

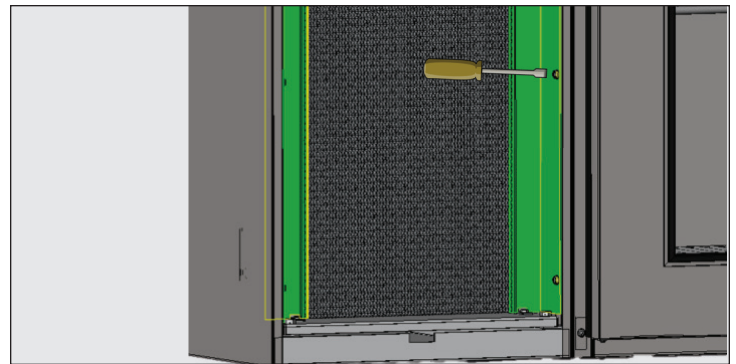


Fig. 6. Remove the coil brackets.

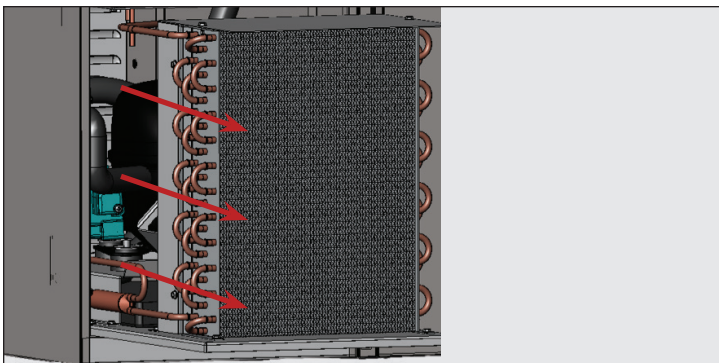


Fig. 7. Carefully slide the condensing unit out.




Additional Information

If you have any questions, please contact your local TRUE Manufacturing Service Department. See the front cover for locations and contact information.

- **Do not** place any filter material in front of the condensing coil.

Maintenance & Servicing (cont.)

General Surface Care & Cleaning

⚠ WARNING!	
	<p>Risk of electrical shock or fire! DO NOT clean appliance with a pressure washer or hose.</p>
	<p>Slippery Surfaces! Moisture from improper drainage can create slippery surfaces near the appliance. It is your duty to immediately warn your customers of, and dry, the slippery surface. All wet floor areas must be marked with a wet floor sign.</p>
	<p>The appliance owner is responsible for performing a Personal Protective Equipment (PPE) Hazard Assessment and to ensure adequate protection during maintenance and cleaning procedures.</p> <p>Use appropriate tools, safety equipment, and PPE during installation and servicing.</p>

Gaskets

- Clean gaskets with warm soapy water.
- **DO NOT** use sharp tools or knives to scrape a gasket.
- Avoid full-strength cleaning products.

Interior

- Clean interior surfaces with a mild solution of baking soda and water to help reduce odor; **DO NOT** use harsh or abrasive cleaners.
- For plastic or powder-coated parts, use warm soapy water to clean **DO NOT** use stainless steel cleaners or similar solvents.

Exterior

- For plastic or powder-coated parts, use warm soapy water to clean **DO NOT** use stainless steel cleaners or similar solvents.
- **DO NOT** clean stainless steel with steel wool or abrasive products. **DO NOT** use detergents or degreasers with chlorides or phosphates. See model-specific manual for more information.

Maintenance & Servicing (cont.)

Stainless Steel Care & Cleaning

! USER ACTION	
!	DO NOT use any steel wool, abrasive, or chlorine-based products to clean stainless steel surfaces.

Stainless Steel Opponents

There are three basic things which can break down your stainless steel's passivity layer and allow corrosion to form.

- Scratches from wire brushes, scrapers, steel pads, and other items that can be abrasive to stainless steel's surface.
- Deposits left on your stainless steel can leave spots. You may have hard or soft water depending on what part of the country you live in. Hard water can leave spots. Hard water that is heated can leave deposits if left to sit too long. These deposits can cause the passive layer to break down and rust your stainless steel. All deposits left from food prep or service should be removed as soon as possible.
- Chlorides which are present in table salt, food and water, as well as in household and industrial cleaners. These are the worst type of chlorides to use on stainless steel.

Stainless Steel Cleaning and Restoration

Stainless steel cleaners must be free of phosphates, chlorine, chloride, and ammonia.

True offers environmentally-friendly cleaner and polish through our True Store at store.trueresidential.com/products/stainless-steel-clean-polish-kit.

Custom Painted Appliance and Hardware

For painted doors and other surfaces, use a mild solution of soap and water with a soft microfiber cloth.

Maintenance & Servicing (cont.)

8 Tips to Help Prevent Rust on Stainless Steel

Maintain the Cleanliness of Your Equipment

Avoid build-up of hard stains by cleaning frequently. Use cleaners at the recommended strength (alkaline chlorinated or non-chloride).

Use the Correct Cleaning Tools

Use non-abrasive tools when cleaning your stainless steel products. The stainless steel's passive layer will not be harmed by soft cloths and plastic scouring pads.

Clean Along Polishing Lines

Polishing lines ("grain") are visible on some stainless steels. Always scrub parallel to polishing lines when visible. Use a plastic scouring pad or soft cloth when you cannot see the grain.

Use Alkaline, Alkaline-Chlorinated or Non-Chloride Cleaners

While many traditional cleaners are loaded with chlorides, the industry is providing an ever increasing choice of non-chloride cleaners. If you are not sure of your cleaner's chloride content, contact your cleaner supplier. If they tell you that your present cleaner contains chlorides, ask if they have an alternative. Avoid cleaners containing quaternary salts, as they can attack stainless steel, causing pitting and rusting.

Rinse

When using chlorinated cleaners, you must rinse and wipe dry immediately. It is better to wipe standing cleaning agents and water as soon as possible. Allow the stainless steel equipment to air dry. Oxygen helps maintain the passivity film on stainless steel.

Never Use Hydrochloric Acid (Muriatic Acid) on Stainless Steel

Even diluted, hydrochloric acid can cause corrosion, pitting and stress corrosion cracking of stainless steel.

Water Treatment

To reduce deposits, soften hard water when possible. Installation of certain filters can remove corrosive and distasteful elements. Salts in a properly maintained water softener can also be to your advantage. Contact a treatment specialist if you are not sure of the proper water treatment.

Regularly Restore & Passivate Stainless Steel

Stainless steel gets its stainless properties from the protective chromium oxides on its surface. If these oxides are removed by scouring, or by reaction with harmful chemicals, then the iron in the steel is exposed and can begin to oxidize, or rust. Passivation is a chemical process that removes free iron and other contaminants from the surface of stainless steel, allowing the protective chromium oxides to re-form.

Maintenance & Servicing (cont.)

Reverse Door Swing Style #1

Kit Contents (shipped with cabinet)

- Bottom hinge bracket
- Door cam base and riser
- Top hinge bracket
- Top hinge bushing

Required Tool(s)

- Phillips screwdriver
- 5/16" socket wrench
- Flat blade screwdriver

NOTICE > Make appliance adjustments **after** verifying the cabinet is level and supported properly. The example shown is a left hinge door changing to a right hinge door.

Procedure

1. Locate and remove the bolts securing the top hinge bracket to the front of the appliance base. Remove the bolts. See fig. 1.
2. With the bolts removed, swing the bracket onto the door. Tilt the top of the door out to provide clearance from the countertop. Lift the door to disengage it from the top hinge bracket. See fig. 2.
3. Remove the bottom hinge assembly from the appliance. See fig. 3.

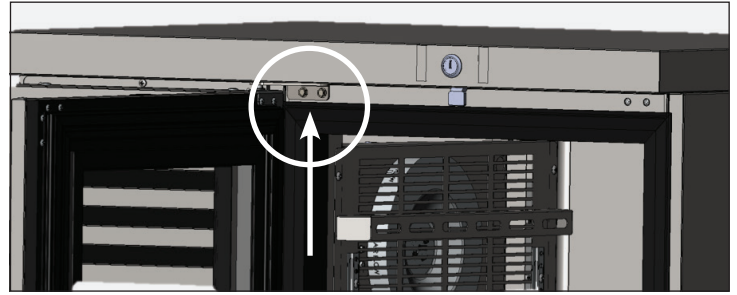


Fig. 1. Top hinge bolt locations.



Fig. 2. Remove the top hinge from the unit.

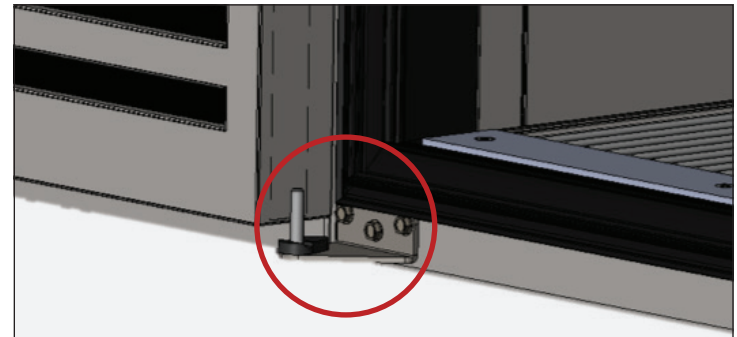


Fig. 3. Lift the door off the bottom hinge.

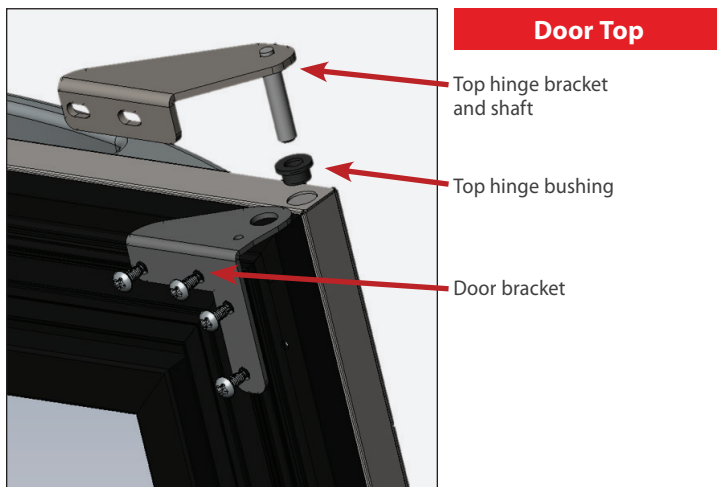


Fig. 4a. Top hinge components.

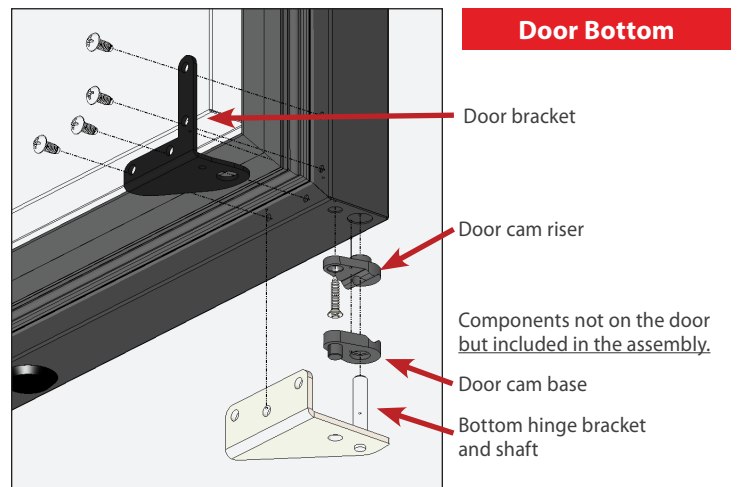


Fig. 4b. Bottom hinge components.

Maintenance & Servicing (cont.)

Reverse Door Swing (cont.)

4. Remove all door hardware except the door handle (see figs. 4a and 4b). Set the door brackets aside.

NOTICE > The door brackets are the only hardware that will be relocated. All other hardware is new and included in the kit. Door brackets are reversible to the opposite diagonal corner of the door. See fig. 5.

5. Remove any door plugs and all screws on the opposite side of the original door hinge placement. See fig. 6.

6. Install all hardware into the door's new component locations.

Door Bottom (see fig. 7a)

- a. Install the bottom door bracket.
- b. Install the door cam riser.

Door Top (see fig. 7b)

- a. Install the top door bracket.
- b. Install the top hinge bushing.
- c. Install top hinge bracket and shaft.

7. Insert the screws into the holes opposite their original location. See fig. 8.

8. Install the bottom hinge bracket and shaft to the appliance. See fig. 9.

- a. Install the door cam base to hinge shaft.
- b. Lift door onto bottom door hinge bracket and shaft.

9. Secure the top hinge bracket to the cabinet. See fig. 10.

NOTICE > Top hinge bracket is slotted for door alignment.

10. Install plug in door in top of door (see fig. 11). Verify correct door operation.

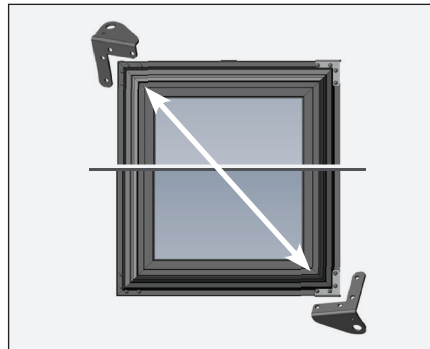


Fig. 5. The current bottom door bracket will be the new top door bracket.



Fig. 6. Remove the door plugs and remaining screws.

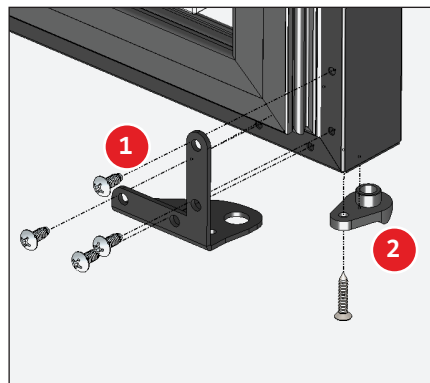


Fig. 7a. Bottom hinge component assembly.



Fig. 7b. Top hinge component assembly.

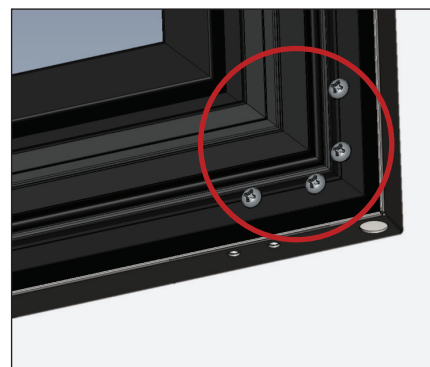


Fig. 8. Move the hardware from step 5 to the side opposite its original location.

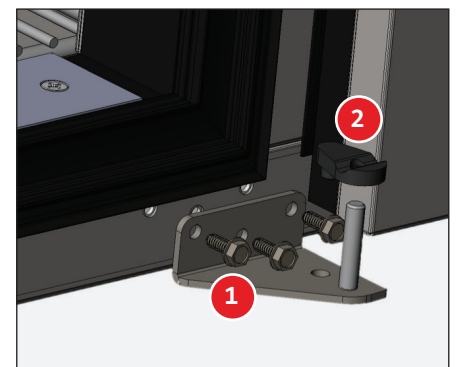


Fig. 9. Install the bottom hinge pin in its new location.



Fig. 10. Install the top hinge and the door.

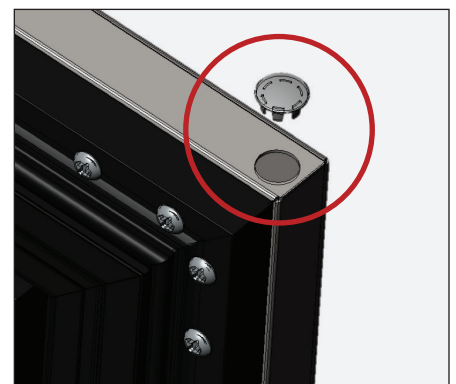


Fig. 11. Install the plug.

Maintenance & Servicing (cont.)

Reverse Door Swing Style #2

Kit Contents (shipped with appliance)

- Bottom hinge bracket
- Door cam base and riser
- Top hinge bracket
- Top hinge bushing

Required Tool(s)

Required tools include (but may be limited to) the following:

- Phillips screwdriver
- 5/16" socket wrench
- Flat blade screwdriver
- Drill (optional)

Procedure

NOTICE > The example shown is a left hinge door changing to a right hinge door. Save removed hardware, if so desired, for future door reversals.

1. Locate and remove the hardware securing the top hinge bracket to the front of the appliance. See fig. 1.
2. With the hardware removed, open and lift the door to disengage it from the bottom hinge bracket. See fig. 2.
3. Remove the bottom hinge assembly from the appliance. See fig. 3.
4. Remove the remaining hardware from the top and bottom of the appliance on the opposite side of the door opening. See fig. 4.
5. Remove the door plug and top hinge bushing from the top of the door. Then, switch their positions. See fig. 5.
6. Install the new cam riser on the bottom of the door on the opposite side of its original location. See fig. 6.
7. Install the new bottom hinge bracket on the opposite side of the door opening. See fig. 7.
8. Position the door on the bottom door hinge bracket.
9. Insert the new top hinge into the door. Then, install the top hinge bracket onto the appliance.
10. Verify door operation and alignment. Adjust door as needed.

NOTICE > The top hinge brackets are slotted to allow for door adjustment.

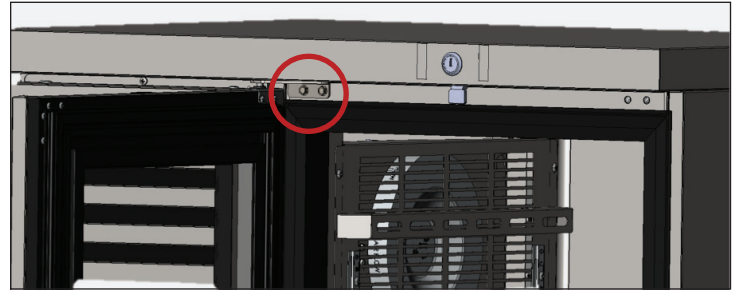


Fig. 1. Remove the bolts securing the top hinge brackets.



Fig. 2. Lift the door to disengage it from the bottom hinge.

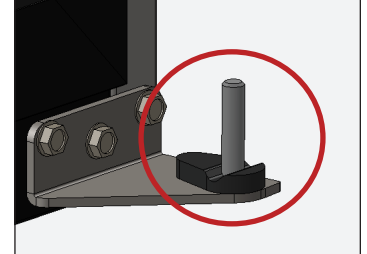


Fig. 3. Lift the door off the bottom hinge.

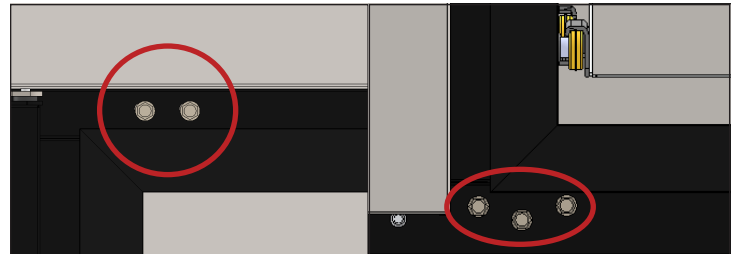


Fig. 4. Remove the remaining hardware from the top and bottom of the appliance on the opposite side of the door opening.

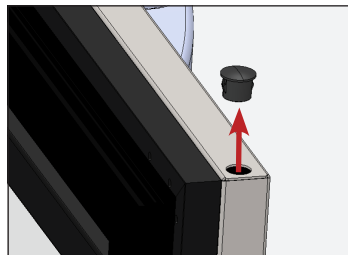


Fig. 5. Remove the door plug.

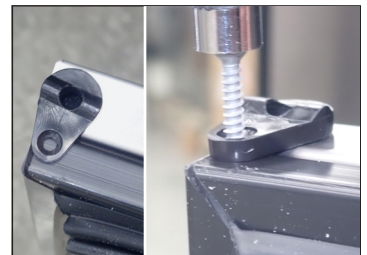


Fig. 6. Install the cam riser on the bottom of the door on the opposite side of its original location.



Fig. 7. Install the bottom hinge on the opposite side of the door opening.

Maintenance & Servicing (cont.)

Slide Door Removal

! USER ACTION	
!	<ul style="list-style-type: none"> • DO NOT use the side latch before removing the slide door. The tension on the door cord is needed to execute these operation instructions. • Doors CANNOT be removed unless they are positioned as stated in these instructions.

Procedure

1. Position the doors as described below. To remove, lift the positioned door. Then, tilt the top of the door back until the rollers exit the door channel. Then, swing the bottom of the door out of the bottom channel. See figs. 1 and 2.

Two-Door Units

Center the front door on the cabinet opening. See fig. 3.

Three-Door Units

- Center Door: Slide 9" (228.6 mm) right
- Right Door: Slide 14" (355.6 mm) left
- Left Door: Slide 9-1/2" (241.3 mm) right

Continued on next page...

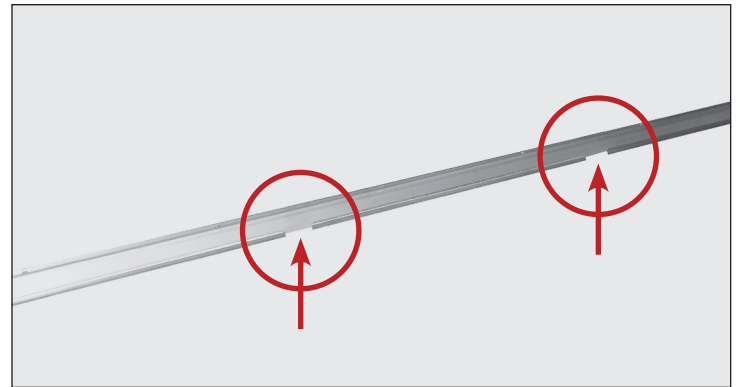


Fig. 1. Door channel openings.



Fig. 2. Carefully remove the door.



Fig. 3. Two-Door Units: Position the front door at the center of the cabinet.

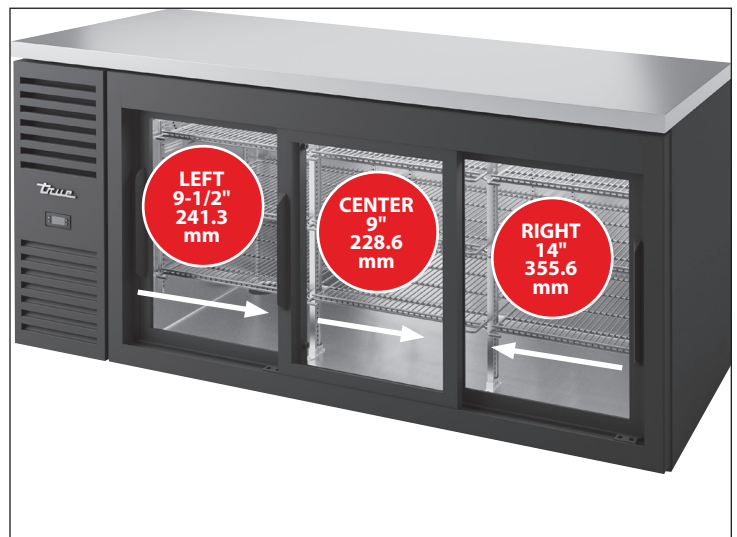


Fig. 4. Three-Door Units: Move the doors as directed to remove doors from channel.

Maintenance & Servicing (cont.)

Slide Door Removal (cont.)

- Remove the door cord from the roller bracket. See figs. 5 and 6.

NOTICE > The black plastic tab holding the door cord slides out the back.

- Let the door cord slowly retract back into the door side channel.

NOTICE > When reinstalling the door, be sure the door cord grommet attaches to roller slot closest to the pulley. See fig. 7.

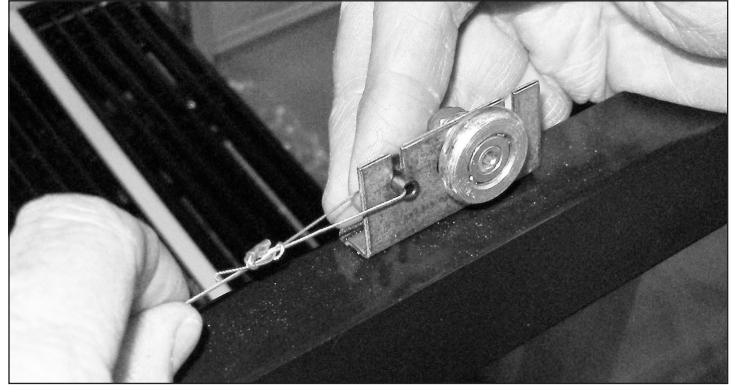


Fig. 5. Remove the door cord from the roller bracket.



Fig. 6. Slide the the black tab holding the door cord out the back.

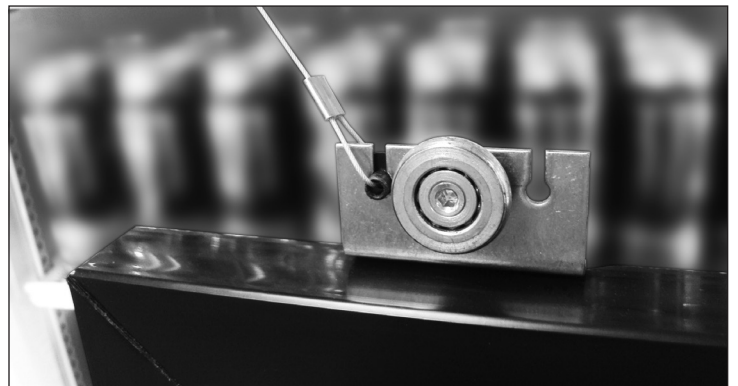


Fig. 7. Be sure the door cord is in the roller slot closest to the pulley.

Maintenance & Servicing (cont.)

Slide Door Adjustment

Only adjust the appliances after it has been installed in its final location and correctly leveled.

Procedure

1. Completely close the slide doors and check for openings. If there are any gaps/openings between the closed doors and appliance, the doors will need to be adjusted.
2. With a 7/16" wrench or adjustable wrench and 1/8" Allen wrench, loosen the roller and move it along the slotted hole. After the adjustment has been made tighten the roller into place. See fig. 1.

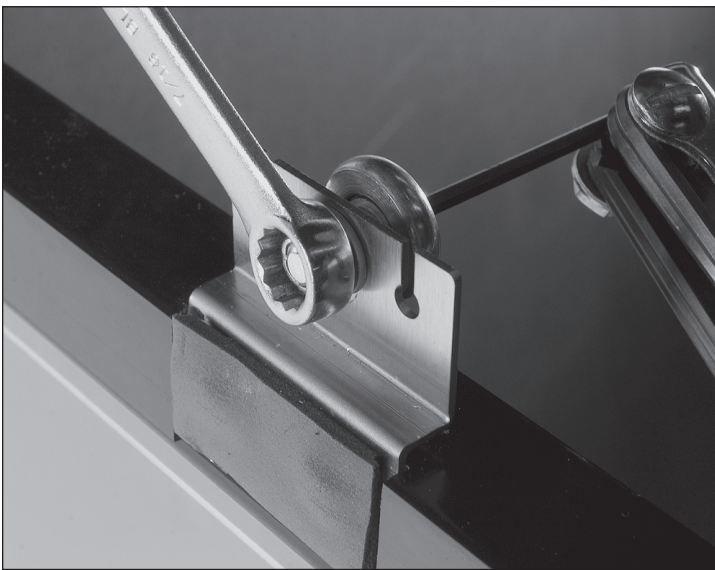


Fig. 1. Adjust the roller.

Slide Door Hold-Open Feature

The hold-open feature keeps the door in the open position.

Procedure

1. Slide the door open.
2. Latch the door in the open position from the back side of door (notch in track). See figs. 1 and 2.

NOTICE > Figs. 1 and 2 show the rear view of the door and track.



Fig. 1. Door latch is in the open position (engaged with notch).



Fig. 2. Door latch is in the closed position (disengaged from notch).

Maintenance & Servicing (cont.)

Gasket Replacement

Tools Required

- Caulk gun
- Black 100% silicone

There are two types of door gaskets; narrow and wide gaskets (see fig 1). The correct gasket for your unit varies by appliance age and model. The gaskets are **NOT** interchangeable.

NOTICE > For narrow gaskets, it's important to remember which track the gasket was removed from. Normally, the gasket is in the center track on the top, bottom, and handle sides. On the hinge side, it's on the inside track.

Procedure

1. From the upper right or left-hand corner, carefully pull removable gasket away from the door. See fig. 2.
2. Apply silicone to each corner of the door/gasket channel. See fig. 3.
3. After applying silicone to the corners, push the gaskets back into their original tracks. Press corners in

NOTICE > The silicone will seal any possible air leaks. Excess silicone should seep out of the track.

4. Clean any excess silicone.

NOTICE > Gasket color may vary depending on unit.



Fig. 1. There are two gasket types. A: Narrow gasket; B: Wide gasket.



Fig. 2. Pull the gasket starting at an upper corner.



Fig. 3. Apply silicone to each corner of the gasket channel.



Fig. 4. It is common to see silicone pushed out of track around the gasket. This is how you know enough silicone was used.

Maintenance & Servicing (cont.)

Swing Door Lock & Cam Replacement

The door must be open prior to proceeding.

Procedure — Removing Components

1. Insert the master key (included with the replacement lock kit) into the lock cylinder.
2. Turn the key and pull to remove the cylinder from the lock barrel.
3. Slide the lock cam/bar out of the bottom of the lock barrel.

Procedure — Installing Components

1. Slide the lock cam/bar into the bottom of the lock barrel.
 2. Push the lock cylinder with master key into the lock barrel.
- NOTICE** > Ensure the pin of the back of the lock cylinder aligns with the notch in the lock cam/bar. See fig. 3.

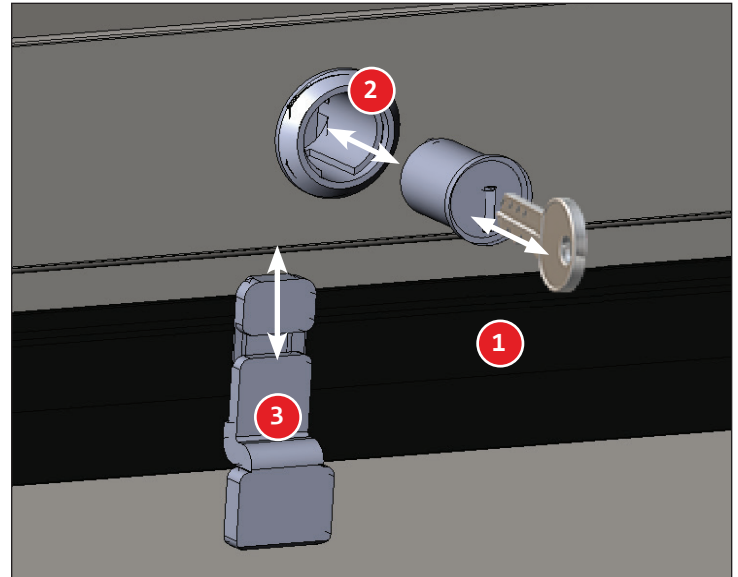


Fig. 1. Front view of removing/installing components.

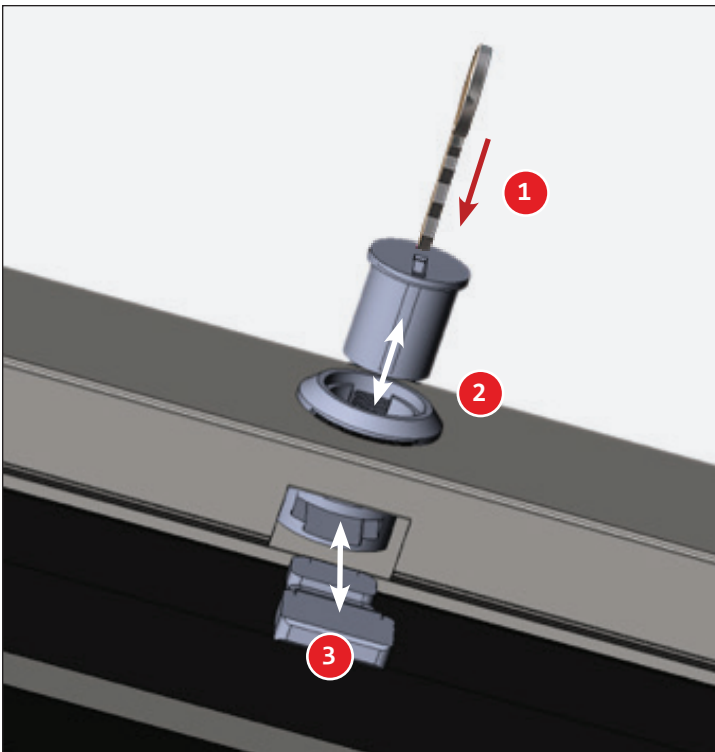


Fig. 2. Bottom view of removing/installing components.

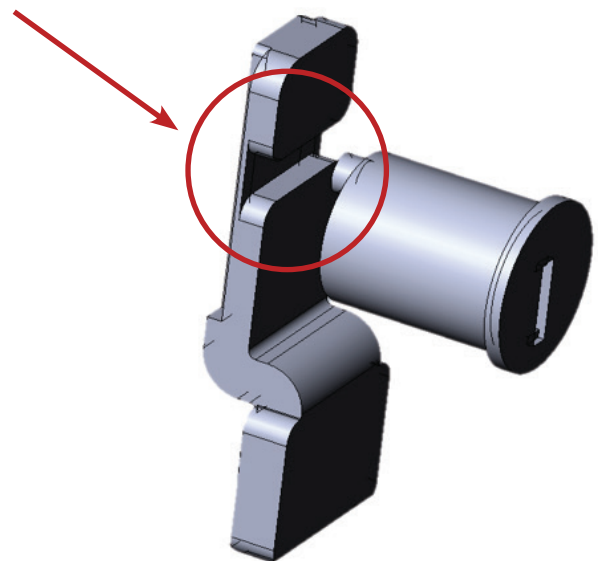


Fig. 3. Lock cam/bar notch

Warranty Information (USA & Canada Only)

Warranty Information

To view and download the
Warranty Information for USA & Canada,
please scan the QR code below.





truemfg.com